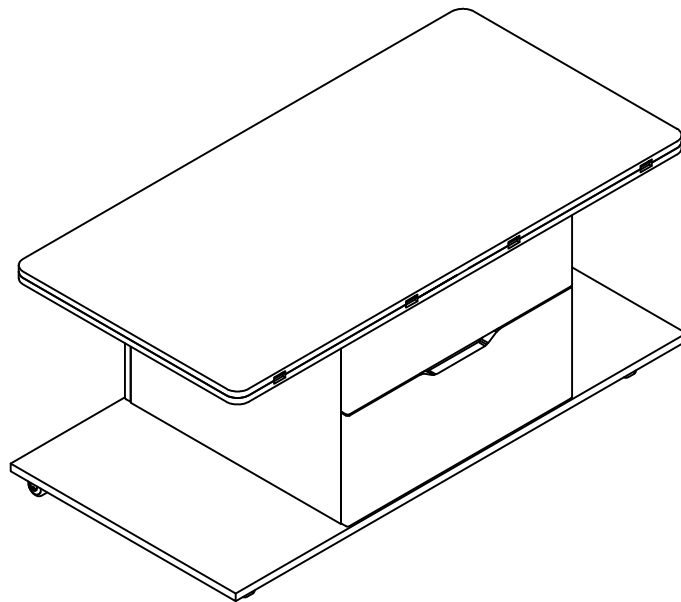




# Coffee Table



---

**CUSTOMER FIRST INTEGRITY**

**QEZEOMService@outlook.com**

# GuideTo Assembly Model:M1202HW

Thank you for purchasing this product. Please read these instructions fully before starting assembly, then follow the simple step by step guide.

## TOP TIPS BEFORE YOU START!

1. Please check that all parts & hardware are present before you start the assembly of your furniture. Do not destroy any of the packaging until you are certain that you have all the necessary parts for assembly.
2. For ease and speed of assembly, we recommend that before you commence each step of the assembly, please identify all the parts required for that step.
3. We recommend that where possible, all items are assembled near to the area in which they will be placed in use, to avoid moving the product unnecessarily once assembled.
4. For the protection of your furniture, particularly items of high gloss finish, we recommend that the product is placed on a protected surface during assembly to prevent any damage.
5. During assembly please take care not to over-tighten any fittings, as this may damage the product.
6. Keep children and animals away from the work area, small parts could cause choking if swallowed.

## Tools Required For Assembly

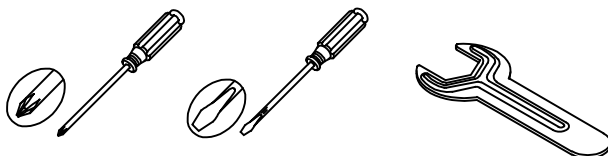


DO NOT USE POWER TOOLS TO ASSEMBLE THIS PRODUCT. USE OF POWER TOOLS WILL INVALIDATE ANY CLAIM AND MAY DAMAGE THIS PRODUCT MAKING IT UNSAFE.

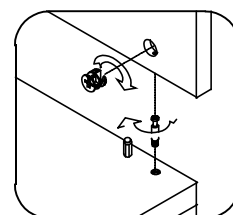
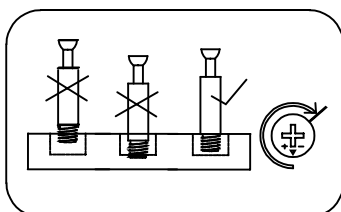
Rubber Hammer

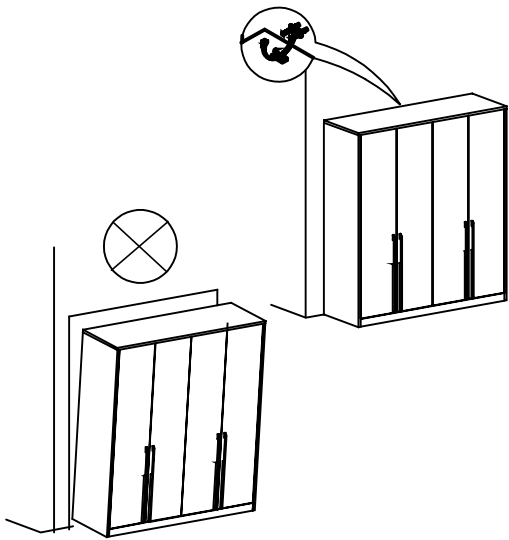


Self-provided general tool diagram:

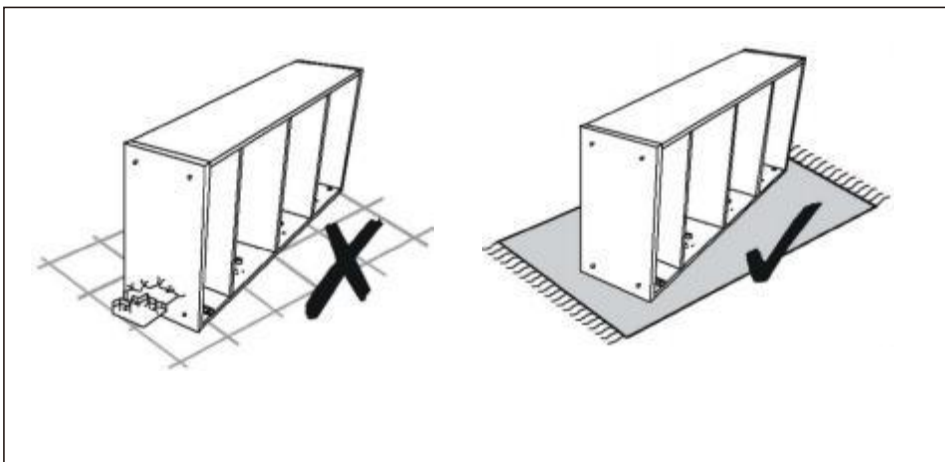
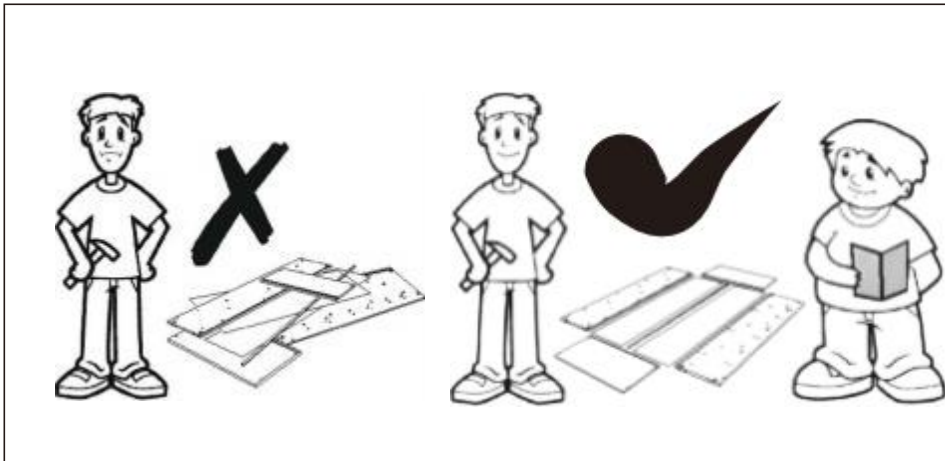


Tape Measure



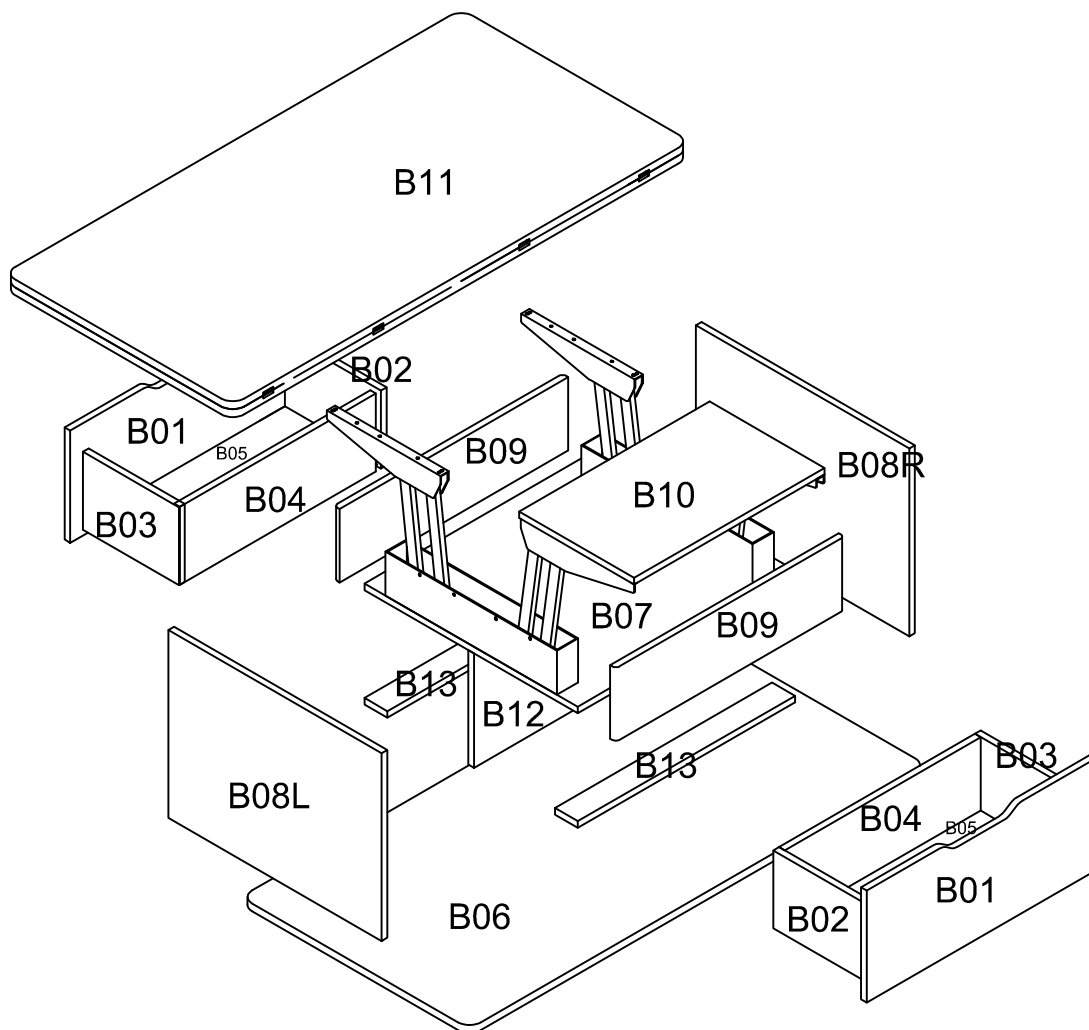


matters needing attention





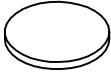
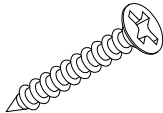
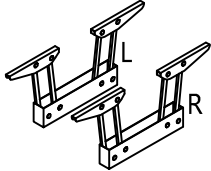


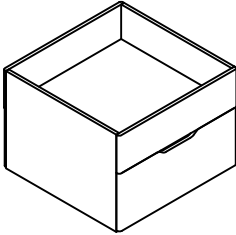

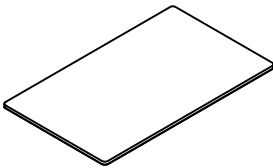
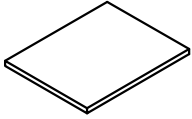
# Accessories list

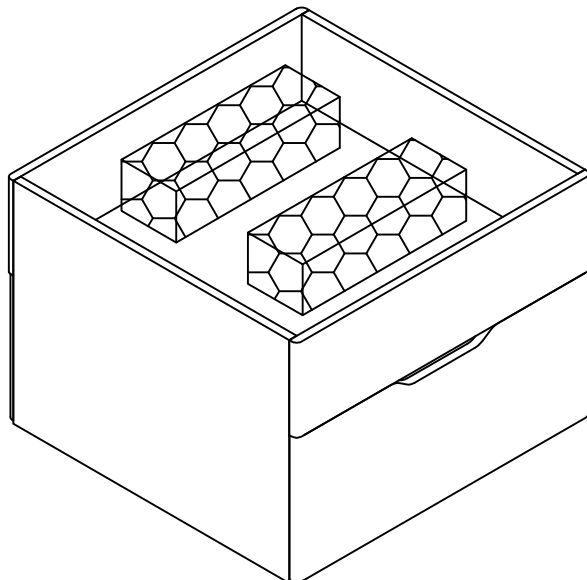
B01*2 drawer front	B02*2 left drawer panel	B03*2 Right drawer panel	B04*2 drawer back panel
B05*2 drawer bottom plate	B06*1 Assemble the base plate	B07*1 Partition plate	B08*2 side panel (L) (R)
B09*2 drawer back panel	B10*1 small table	B11*1 Large upper and lower panels	B12*1 Neutral board
B13*2 slats			



# M1202 Accessorieslist

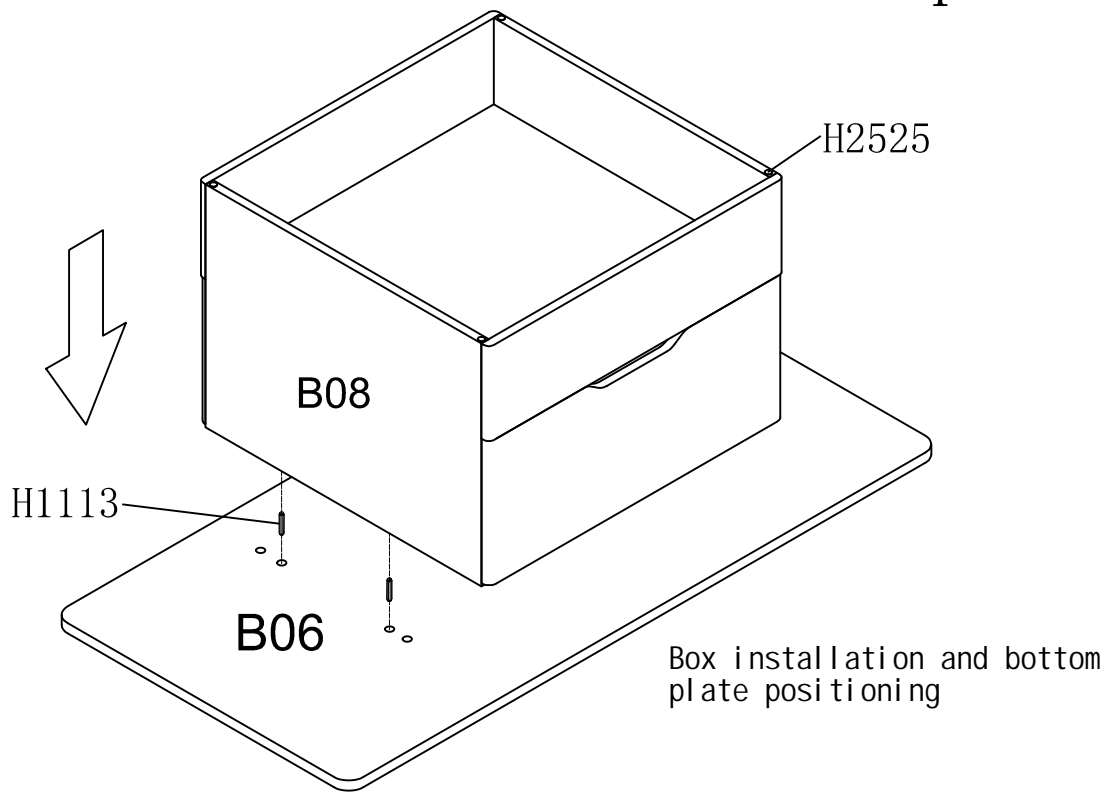
<p>H1417</p>  <p>Cross large flat head self-tapping screw M4*16</p> <p>24PCS</p>	<p>H1402</p>  <p>Self-tapping screw M3.5*14</p> <p>38PCS</p>	<p>H1113</p>  <p>round mortise Ø8*40</p> <p>6PCS</p>	<p>H2601</p>  <p>Universal wheel with brake</p> <p>6PCS</p>
<p>H2525</p>  <p>Single glue pad 4PCS</p>	<p>H1428</p>  <p>Self-tapping screw M3.5*35</p> <p>6PCS</p>	 <p>H6005 Lifting frame 1 set</p>	

 <p>Tea table main body 1 set</p>	 <p>1 set of upper and lower table</p>	 <p>Bottom plate 1pcs</p>	 <p>Small countertop 1pcs</p>
---	---	---	--

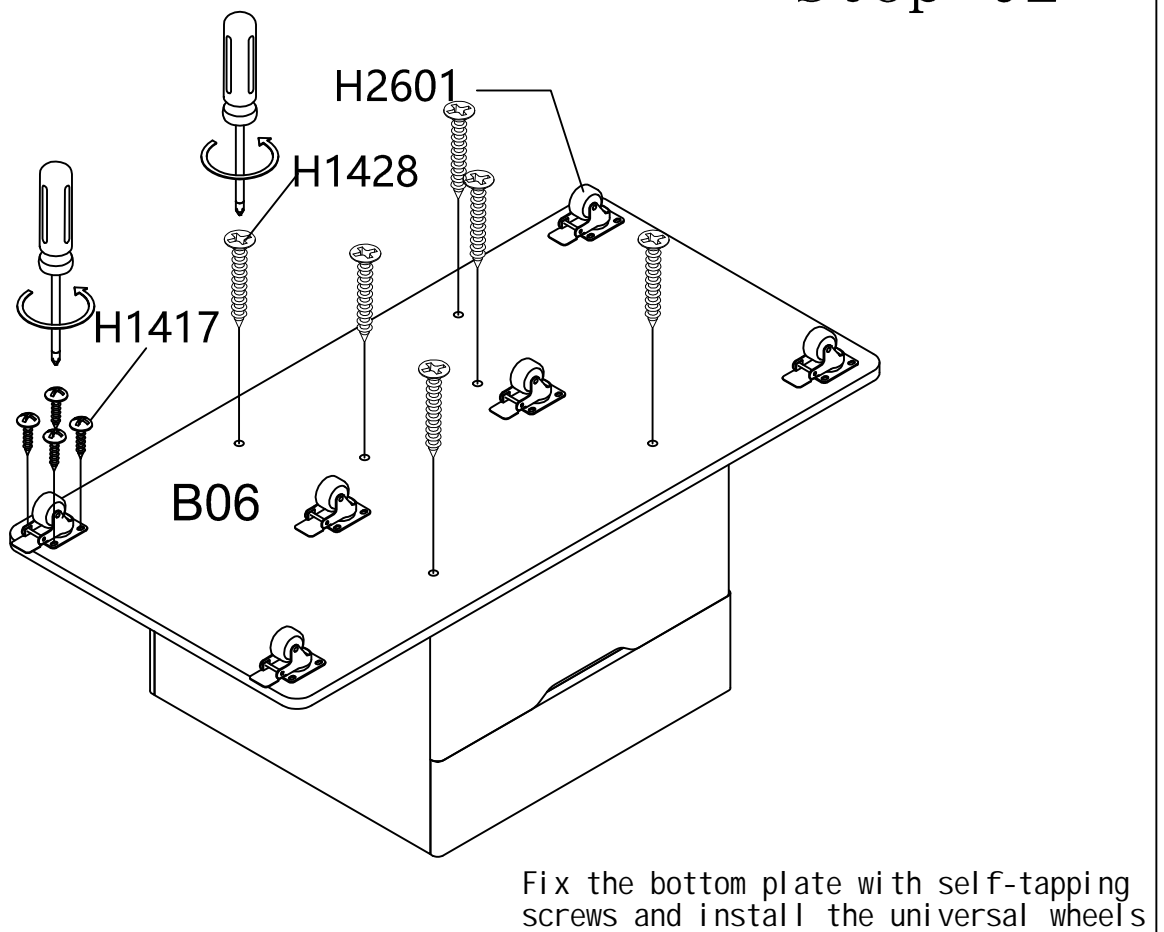


Please take out the inside before installation Filling foam and smallhardware

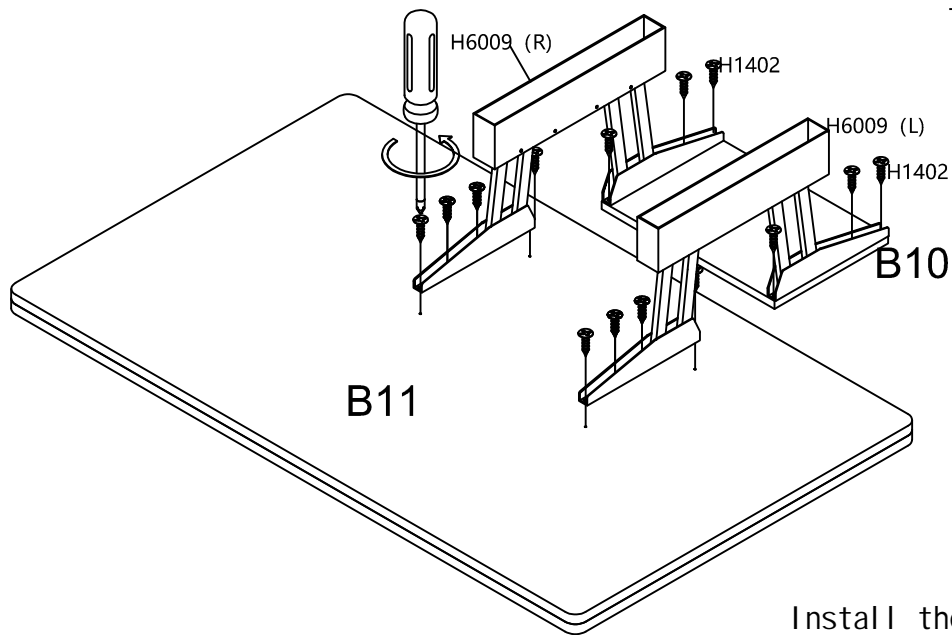
# stop 01



# stop 02



## stop 03

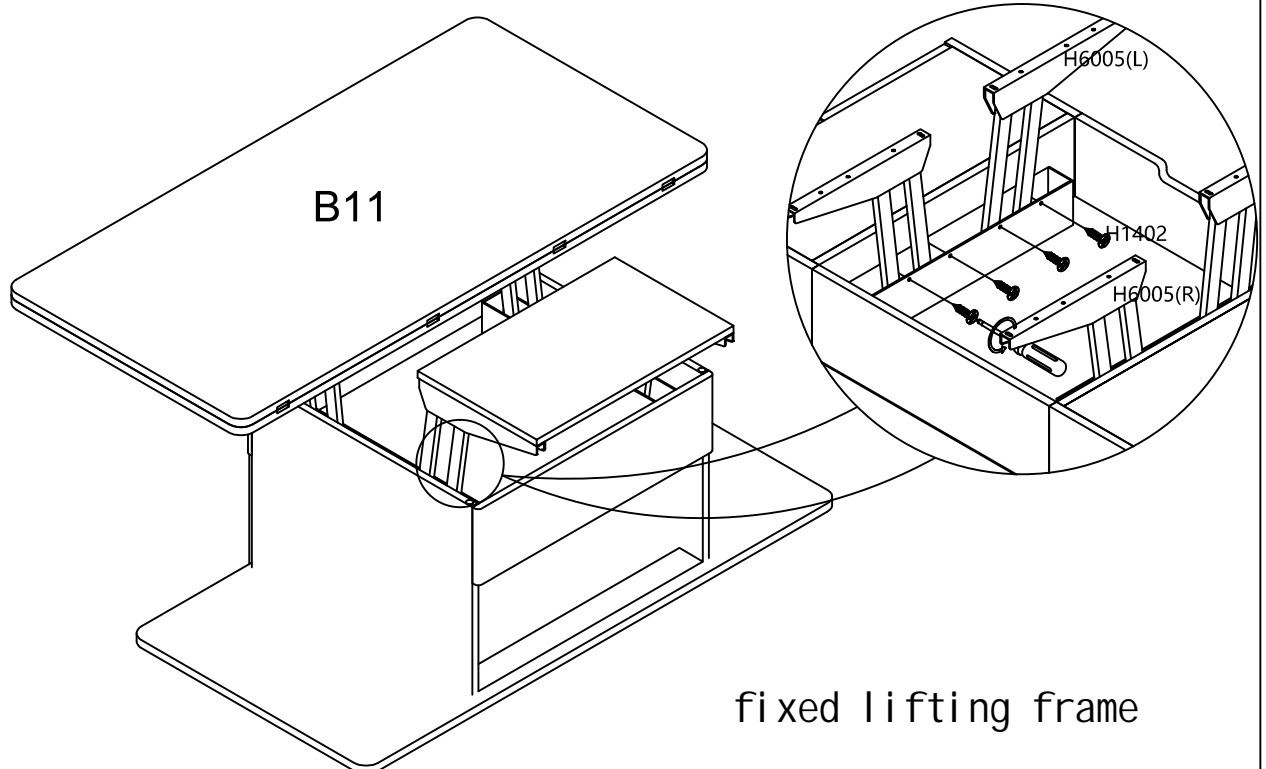


Install the lifting frame

## stop 04



Install the left side plate on the L side of the lifting frame  
(corresponding to the four guide holes)  
Install the right side plate on the R side of the lifting frame  
(corresponding to the three guide holes)



fixed lifting frame