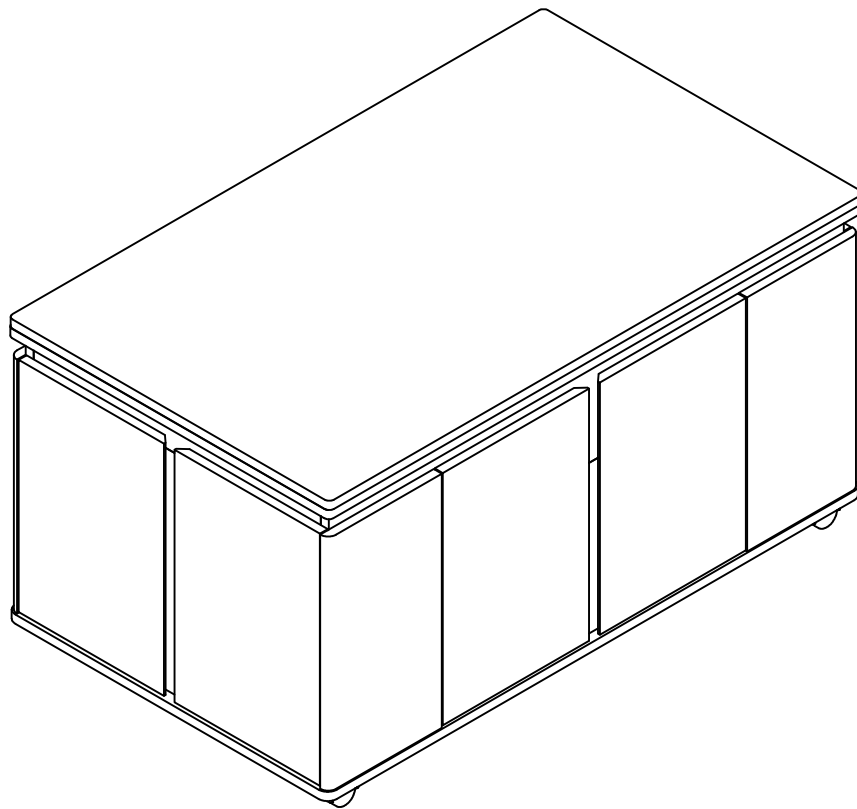




Coffee Table



CUSTOMER FIRST INTEGRITY

QEZEOMService@outlook.com

GuideTo Assembly Model:C1243HW

Thank you for purchasing this product. Please read these instructions fully before starting assembly, then follow the simple step by step guide.

TOP TIPS BEFORE YOU START!

1. Please check that all parts & hardware are present before you start the assembly of your furniture. Do not destroy any of the packaging until you are certain that you have all the necessary parts for assembly.
2. For ease and speed of assembly, we recommend that before you commence each step of the assembly, please identify all the parts required for that step.
3. We recommend that where possible, all items are assembled near to the area in which they will be placed in use, to avoid moving the product unnecessarily once assembled.
4. For the protection of your furniture, particularly items of high gloss finish, we recommend that the product is placed on a protected surface during assembly to prevent any damage.
5. During assembly please take care not to over-tighten any fittings, as this may damage the product.
6. Keep children and animals away from the work area, small parts could cause choking if swallowed.

Tools Required For Assembly

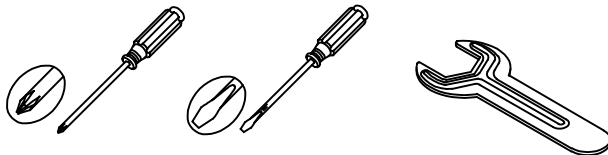


DO NOT USE POWER TOOLS TO ASSEMBLE THIS PRODUCT. USE OF POWER TOOLS WILL INVALIDATE ANY CLAIM AND MAY DAMAGE THIS PRODUCT MAKING IT UNSAFE.

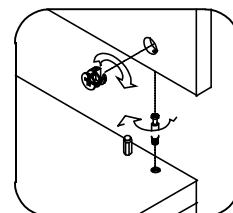
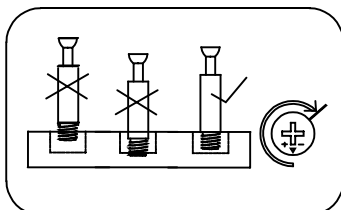
Rubber Hammer

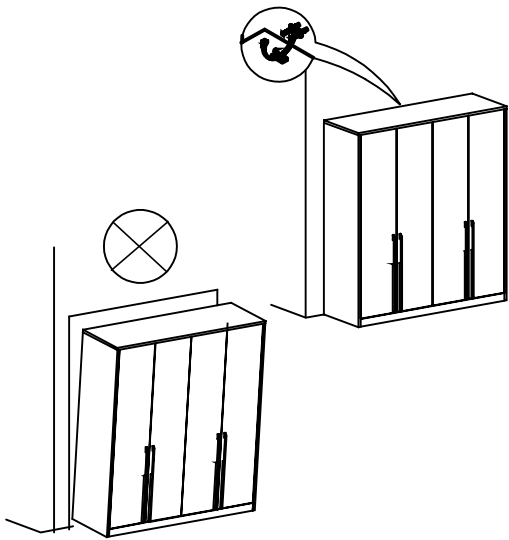


Self-provided general tool diagram:

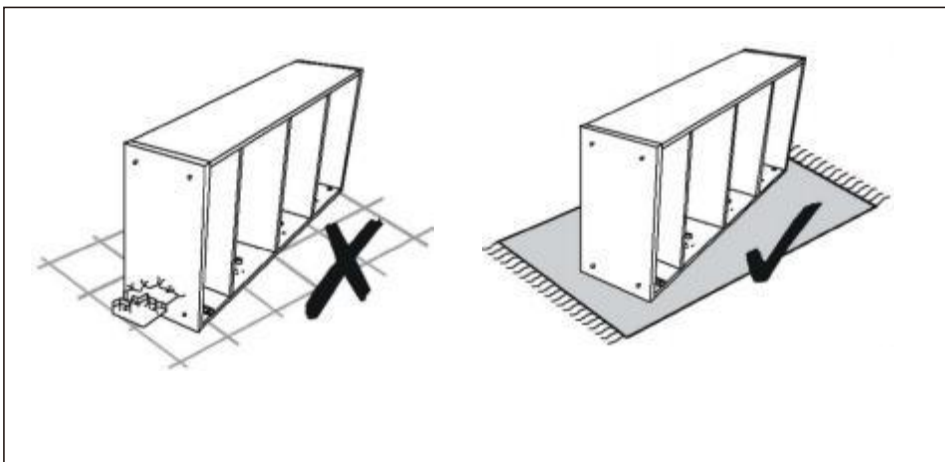
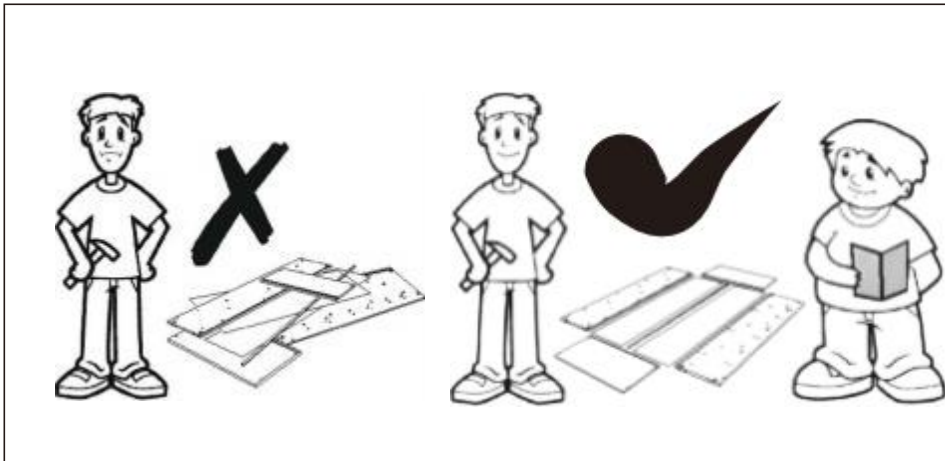


Tape Measure

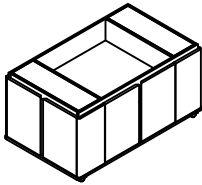




matters needing attention



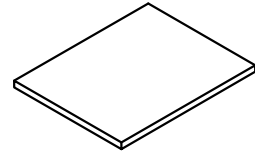
C1243 Accessorieslist



C1243 Tea table as a whole 1 set



Upper and lower table ,1 set



Small panel 1 PCS

H1450



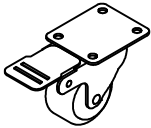
M3.5*12 self-tapping screws 4pcs

H2525



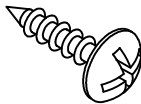
Single glue pad 4pcs

H2601



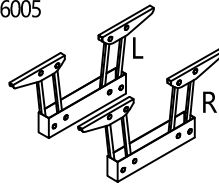
Universal wheels with brakes 5pcs

H1417



Cross big flat head self-tapping screw 8pcs

H6005



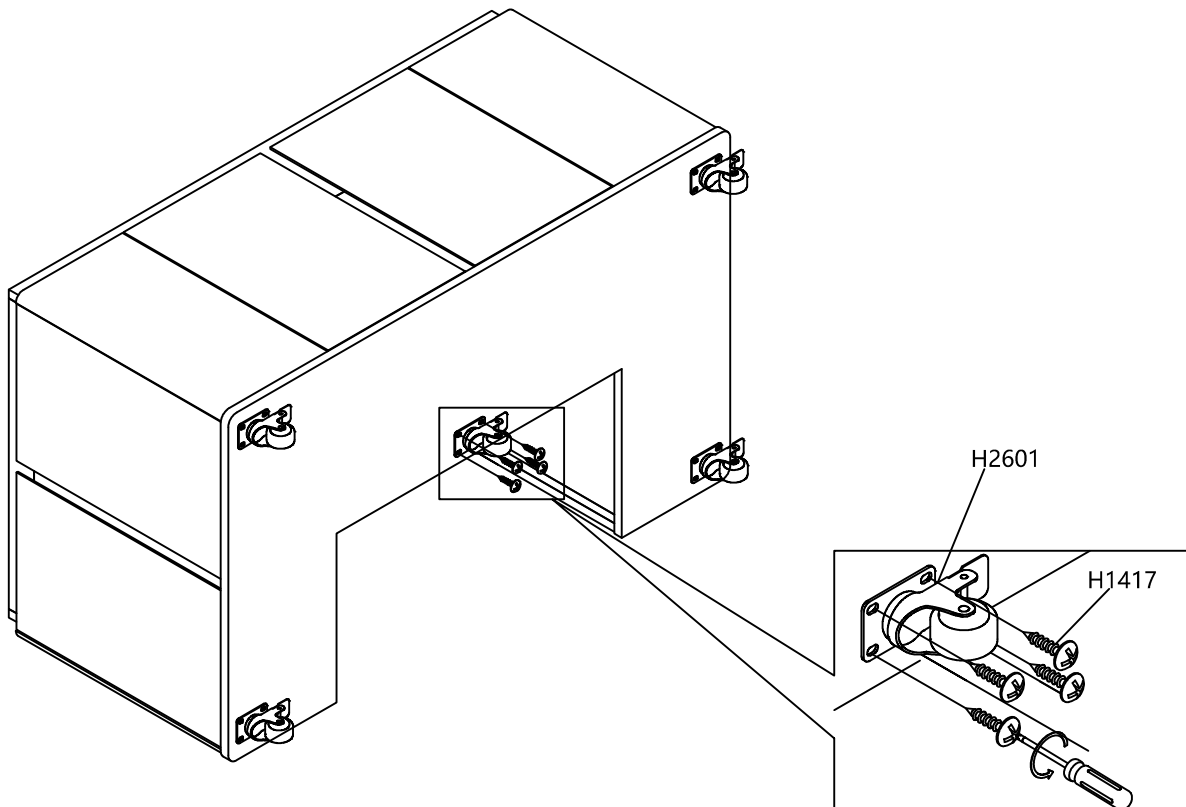
lifting frame 1set

H1402



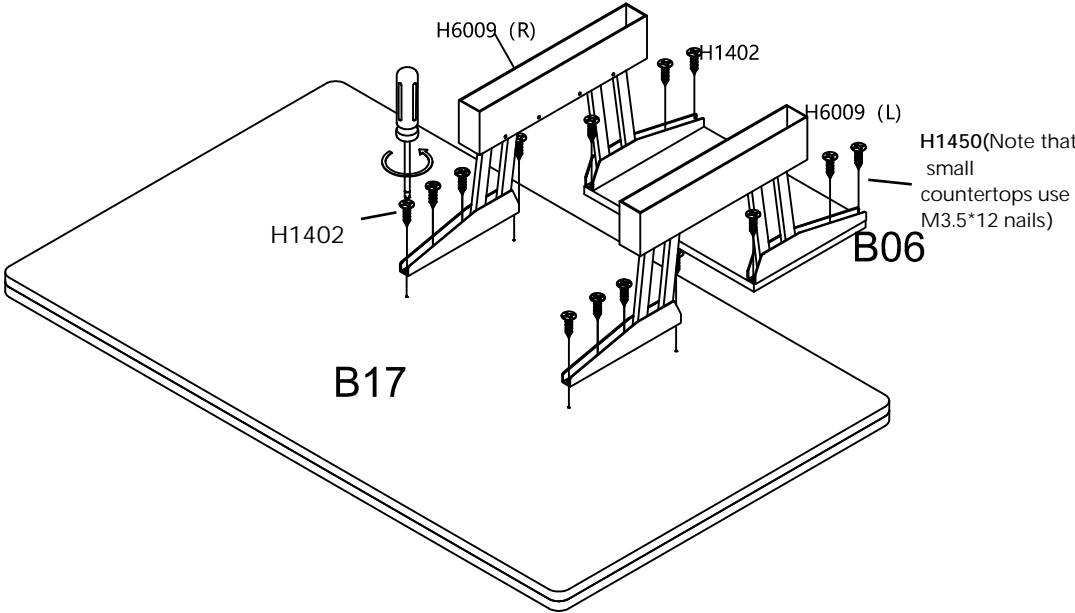
M3.5 *14 self-tapping nails 32 pcs

stop 01



Install universal wheels

stop 02

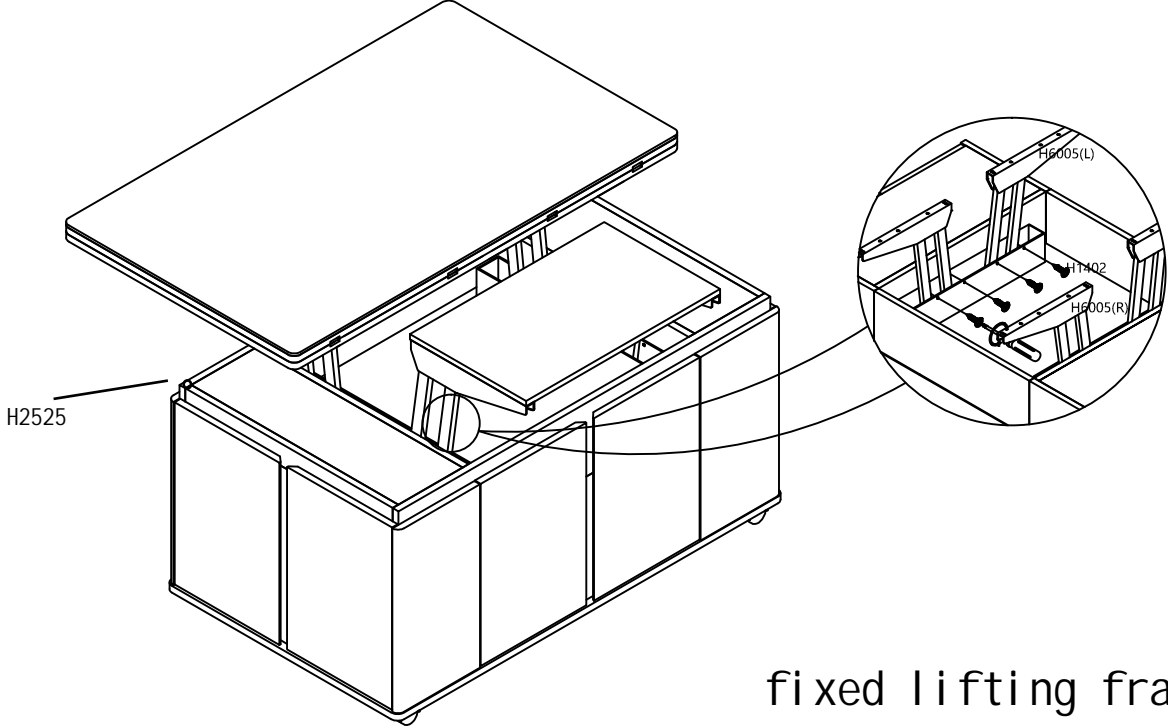


Install the lifting frame

stop 03



Install the left side plate on the L side of the lifting frame (corresponding to the four guide holes)
Install the right side plate on the R side of the lifting frame (corresponding to the three guide holes)



fixed lifting frame

Accessories list

B01*2 right side panel	B02* Prospect plate	B03*1 Look- back plate	B04*1 fixed panel
B05*1 Neutral board	B06*1 Partition plate	B07*1 left center panel	B08*1 right center panel
B09*2 left side panel	B10*1 Bottom plate	B11*2 left and right watchboard	B12*2 left and right false panels
B13*2 clapboard	B14*2 Left and right door panels	B15*1 front door flap	B16*1 Small support panel
B17*1 Active panel	B18*1 Backplate	B19*1 Rear front door panel	B20*1 Left front door panel
B21*4 left and right door panels	B22*2 right paste board	B23*2 left panel	

