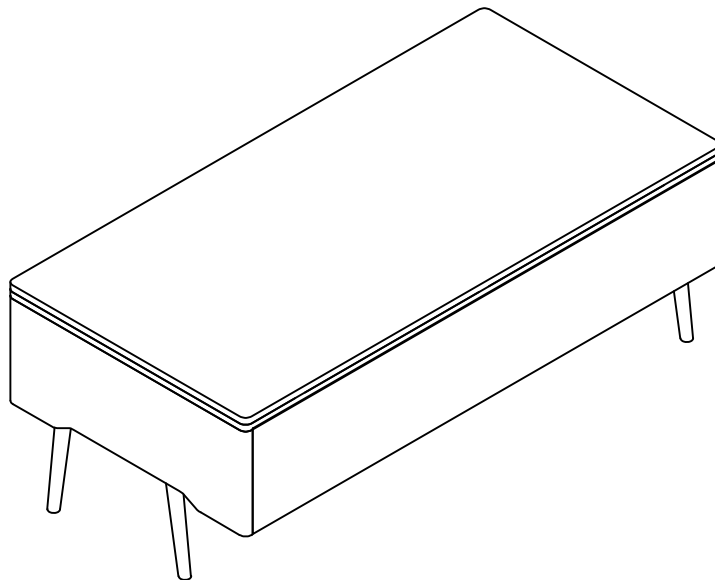




Coffee Table



CUSTOMER FIRST INTEGRITY

QEZEOMService@outlook.com

GuideTo Assembly Model:M1199HW

Thank you for purchasing this product. Please read these instructions fully before starting assembly, then follow the simple step by step guide.

TOP TIPS BEFORE YOU START!

1. Please check that all parts & hardware are present before you start the assembly of your furniture. Do not destroy any of the packaging until you are certain that you have all the necessary parts for assembly.
2. For ease and speed of assembly, we recommend that before you commence each step of the assembly, please identify all the parts required for that step.
3. We recommend that where possible, all items are assembled near to the area in which they will be placed in use, to avoid moving the product unnecessarily once assembled.
4. For the protection of your furniture, particularly items of high gloss finish, we recommend that the product is placed on a protected surface during assembly to prevent any damage.
5. During assembly please take care not to over-tighten any fittings, as this may damage the product.
6. Keep children and animals away from the work area, small parts could cause choking if swallowed.

Tools Required For Assembly

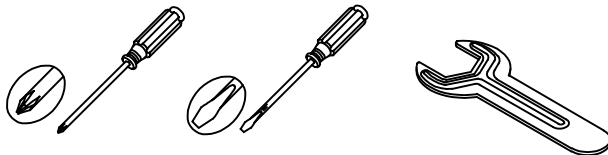


DO NOT USE POWER TOOLS TO ASSEMBLE THIS PRODUCT. USE OF POWER TOOLS WILL INVALIDATE ANY CLAIM AND MAY DAMAGE THIS PRODUCT MAKING IT UNSAFE.

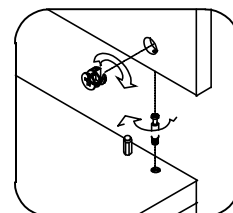
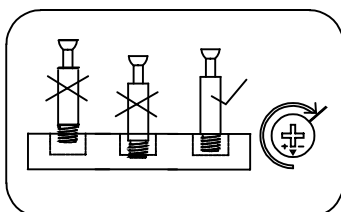
Rubber Hammer

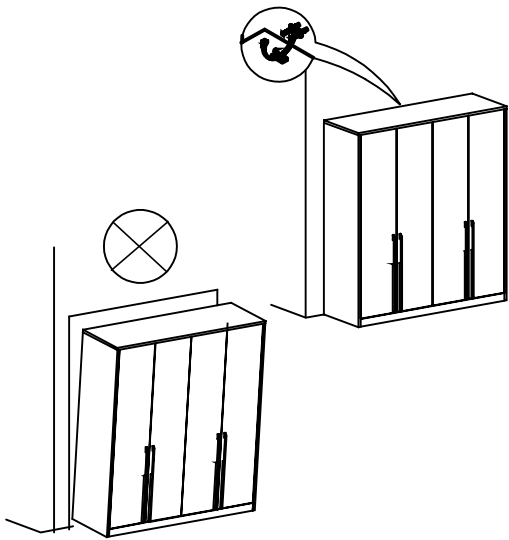


Self-provided general tool diagram:

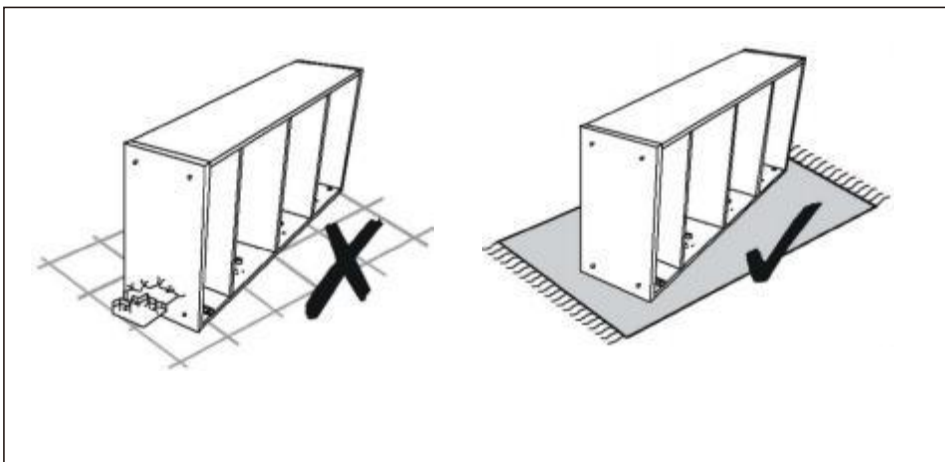
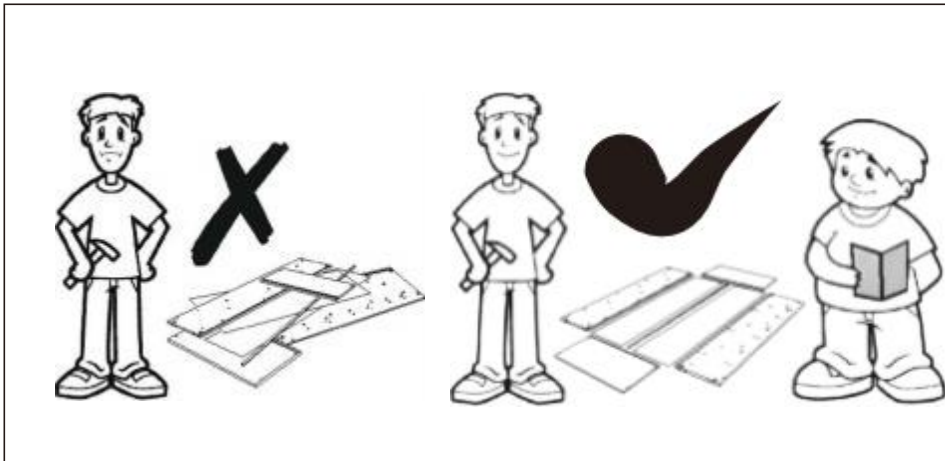


Tape Measure



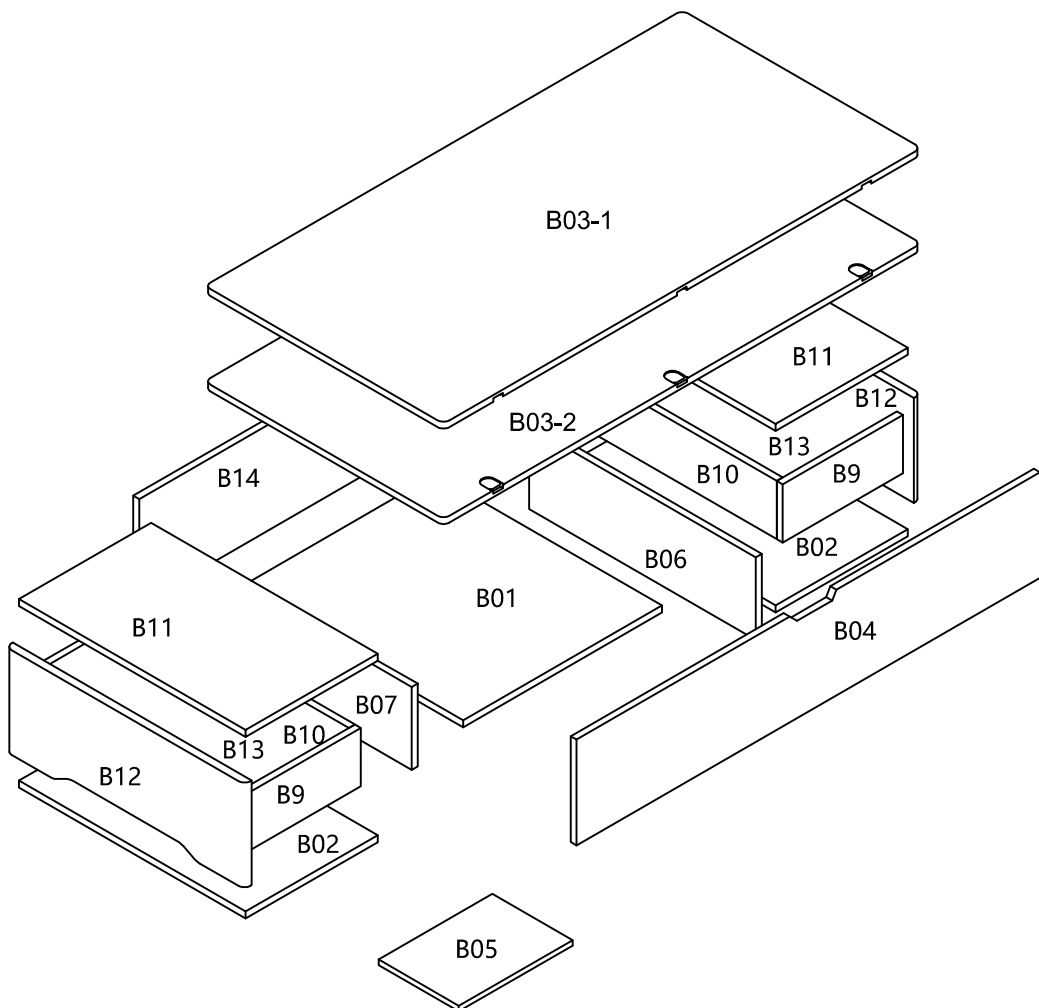


matters needing attention

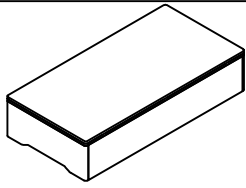


Parts list

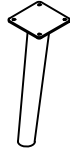
B01 Midsole plate 1pcs	B02 side bottom plate 2pcs	B03-1 fold-out panel 1pcs	B03-2 fold-out panel 1pcs
B04 front board 1pcs	B05 small panel 1pcs	B06 right center panel 1pcs	B07 left center panel 1pcs
B9 drawer side panels 4pcs	B10 drawer back panel 4pcs	B11 Drawer top plate 2pcs	B12 Drawer panel 2pcs
B13 Drawer bottom plate 2pcs	B14 Rear panel 1pcs		



M1199HW Hardware List



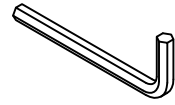
Coffee table body



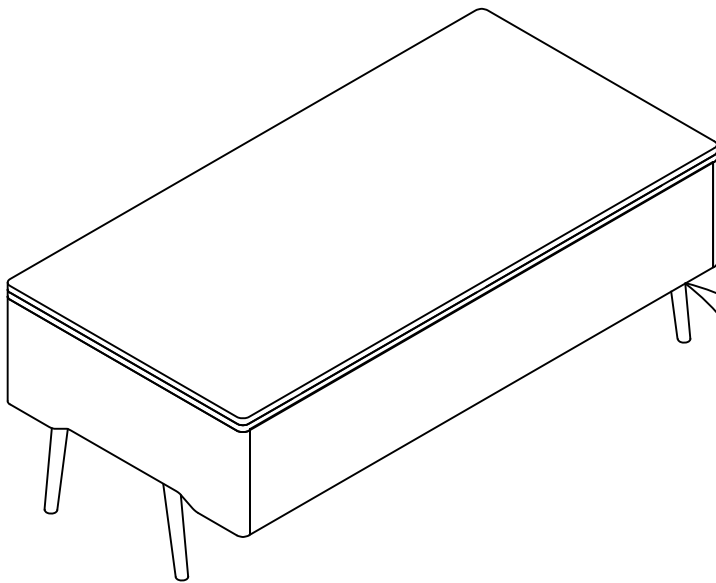
CF050059 4 metal legs 4pcs



H1123 Internal screw
M6*20 16pcs



H5105 4#Inner
hexagonal hand 1



H1123
H5105

CF050059

First invert the coffee table, and then install the metal leg to the corresponding position with the screw (H1123) in the plate