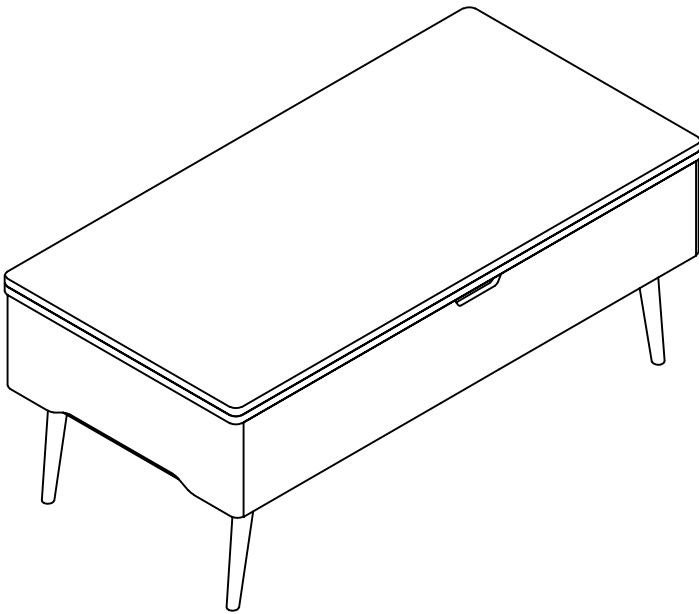




Coffee Table



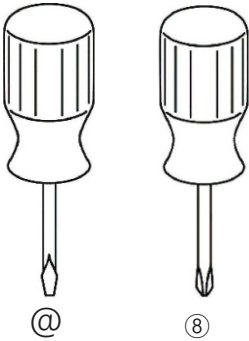
CUSTOMER FIRST INTEGRITY

QEZEOM@outlook.com

Assemble the video

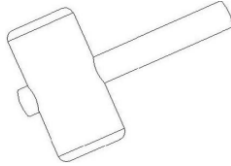
Tools Required For Assembly

Phillips Screw Driver

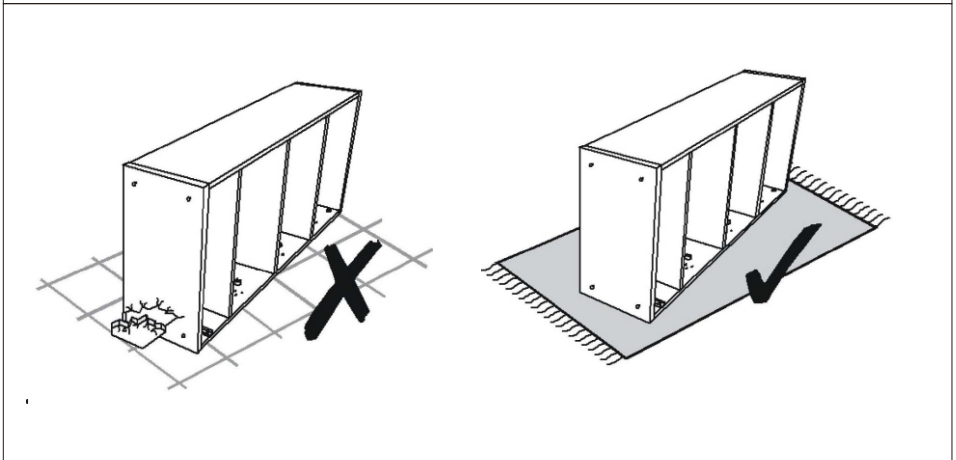
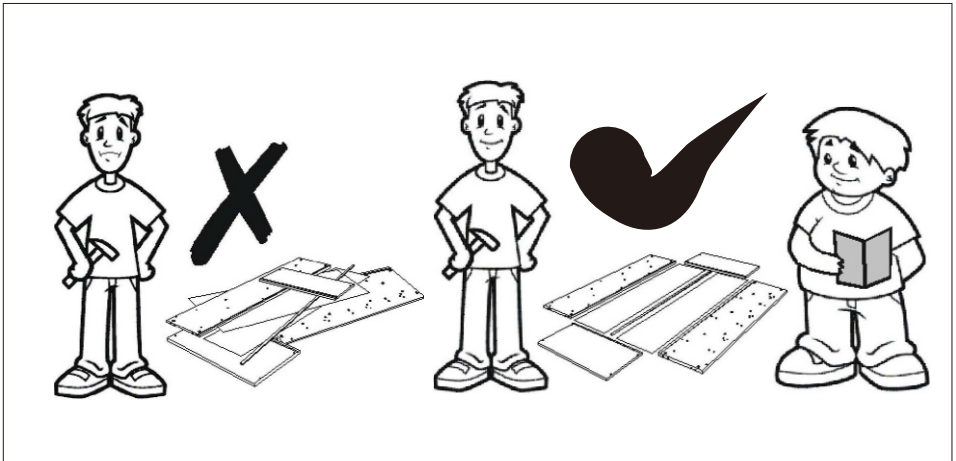
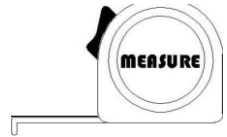


DO NOT USE POWER TOOLS TO ASSEMBLE THIS PRODUCT. USE OF POWER TOOLS WILL INVALIDATE ANY CLAIM AND MAY DAMAGE THIS PRODUCT MAKING IT UNSAFE.

Rubber Hammer

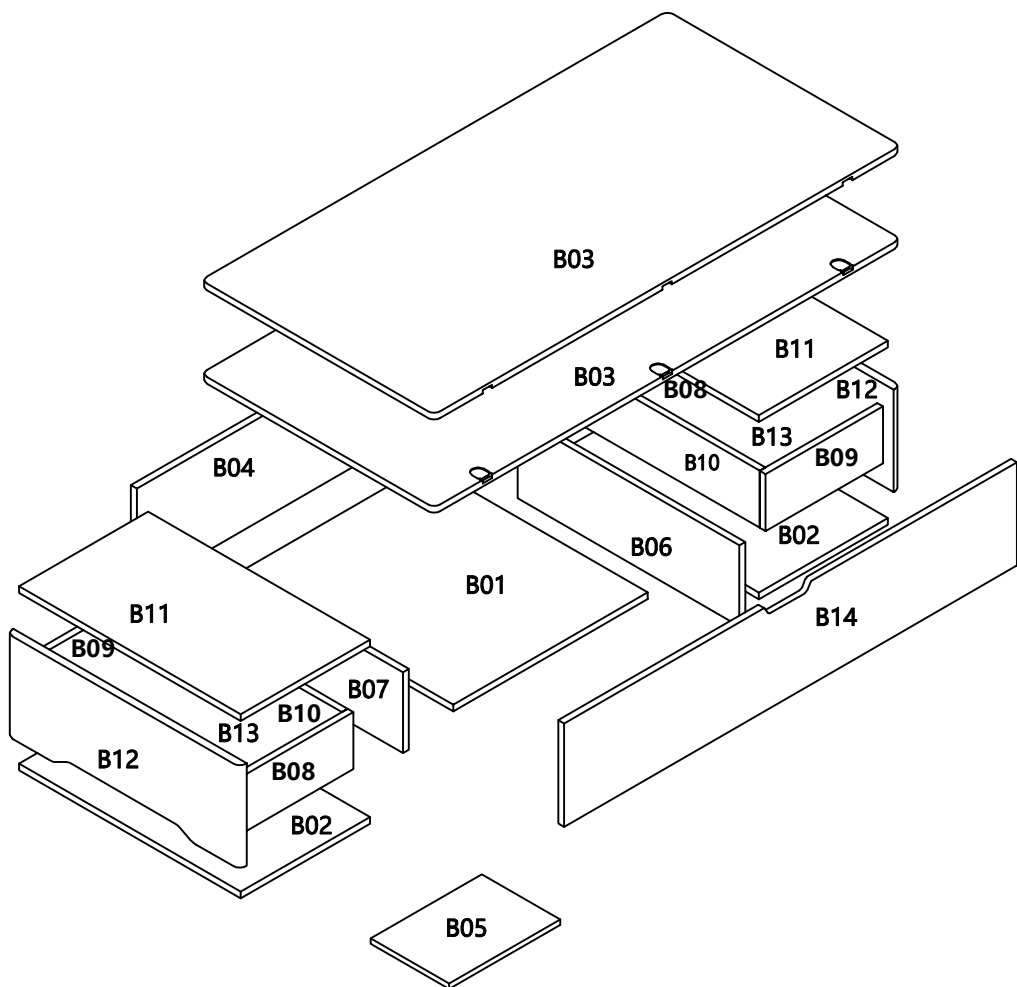






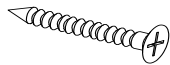


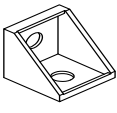
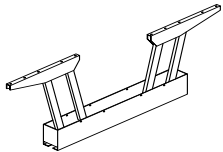
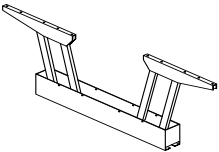
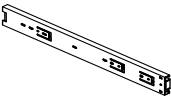
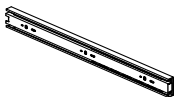


Tape Measure



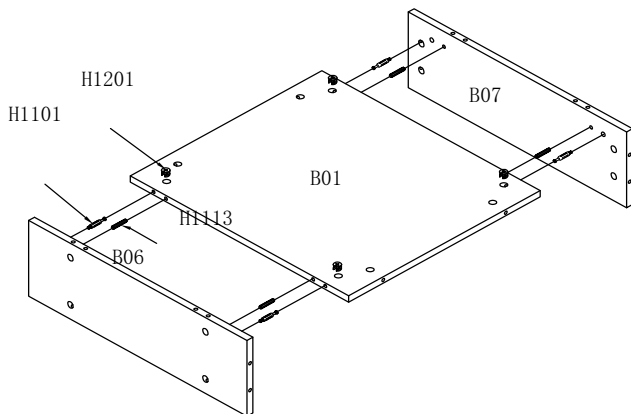
Sheet specification

B01 Middlebottom plate 1pc	B02 Side bottom plate 2pcs	B03 Folding panel 2pcs	B04 Back plate 1pc
B05 Small panel 1pc	B06 Right neutral plate 1pc	B07 Left neutral plate 1pc	B08 Right side plate of drawer 2pcs
B09 Left side of drawer 2pcs	B10 Drawer backboard 2pcs	B11 Top plate of drawer 2pcs	B12 Drawer panel 2pcs
B13 Drawer bottom 2pcs	B14 Front plate 1pc		

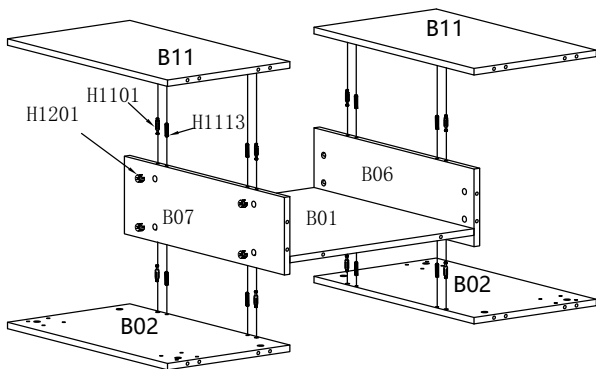


<p>H1201</p>  <p>15*12</p> <p>56pcs</p>	<p>H1101</p>  <p>6*40</p> <p>56pcs</p>		
<p>H1450</p>  <p>3.5*12</p> <p>32pcs</p>	<p>H1113</p>  <p>8*40</p> <p>36pcs</p>		
<p>H1405</p>  <p>4*35</p> <p>8pcs</p>	<p>H1123</p>  <p>6*20</p> <p>16pcs</p>		
<p>H1417</p>  <p>5*14</p> <p>26pcs</p>	<p>H2306</p>  <p>20*20*18</p> <p>8pcs</p>		
<p>H6005 (L)</p>  <p>1pc</p>	<p>H6005 (R)</p>  <p>1pc</p>	<p>H2129 (L)</p>  <p>2pcs</p>	<p>H2129 (R)</p>  <p>2pcs</p>
<p>CF050059</p>  <p>4pcs</p>		<p>H5105</p>  <p>4#</p> <p>1pc</p>	

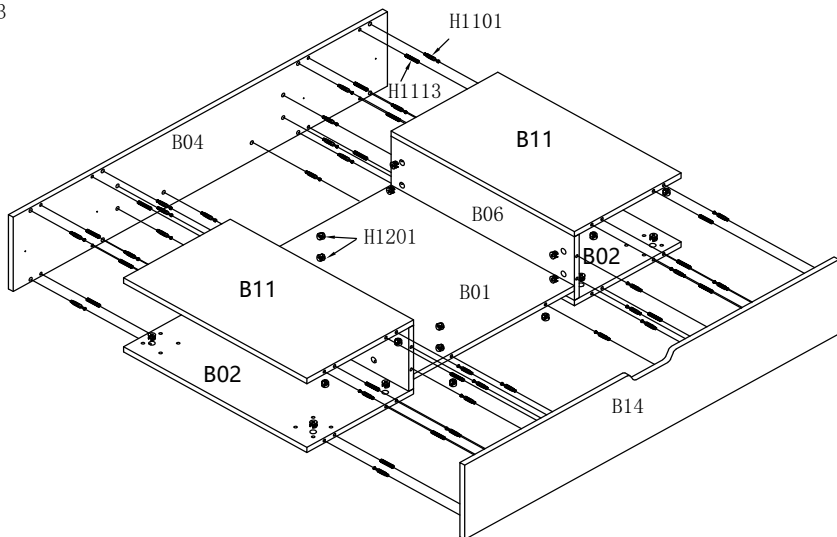
step 1



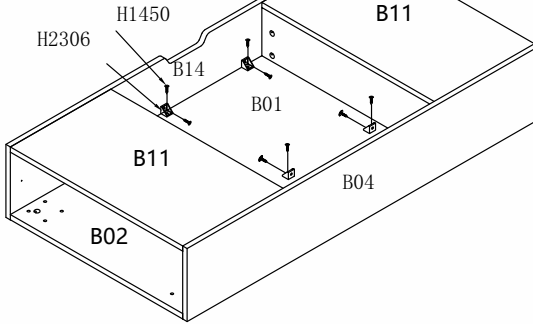
step 2



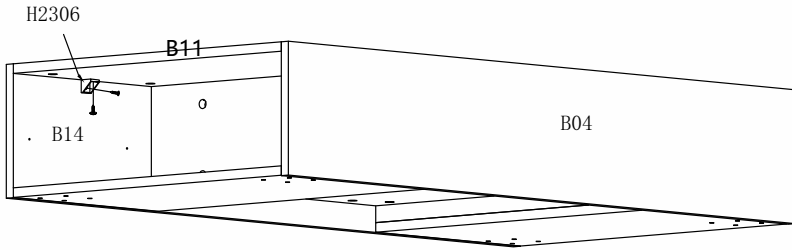
step 3



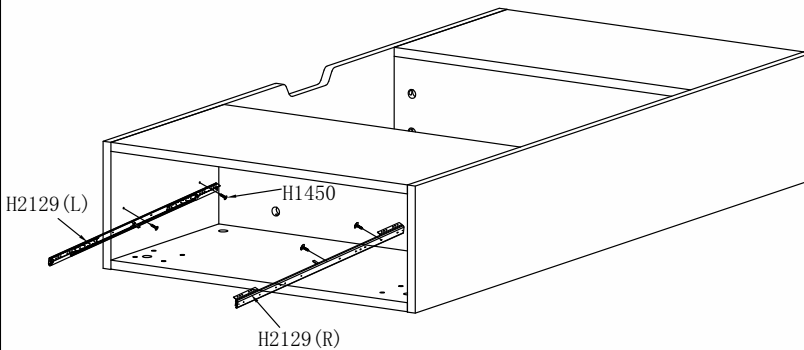
step 4



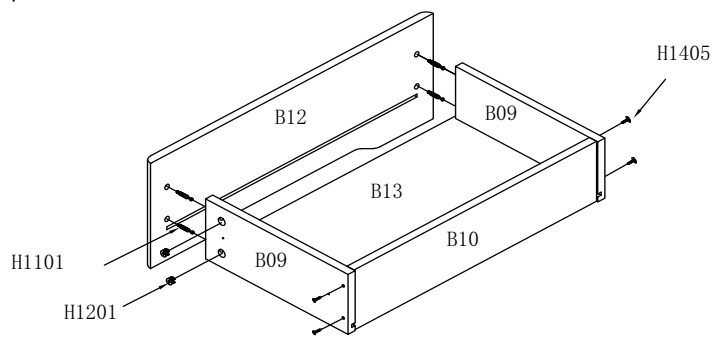
step 5



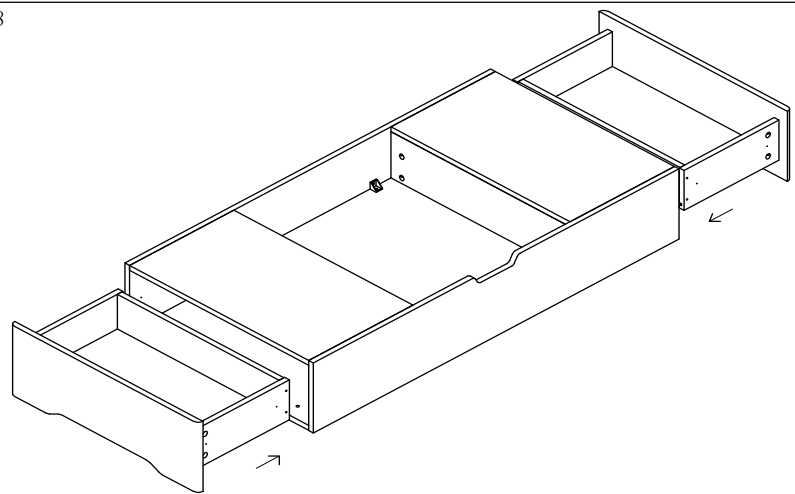
step 6



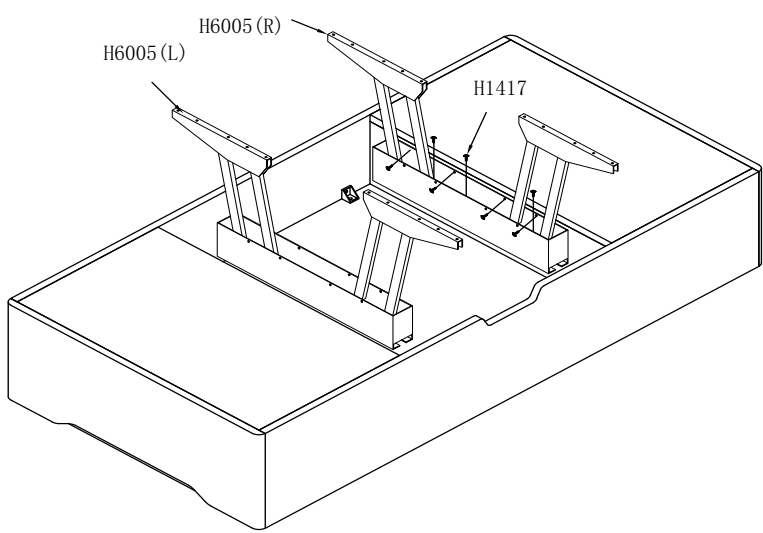
step 7



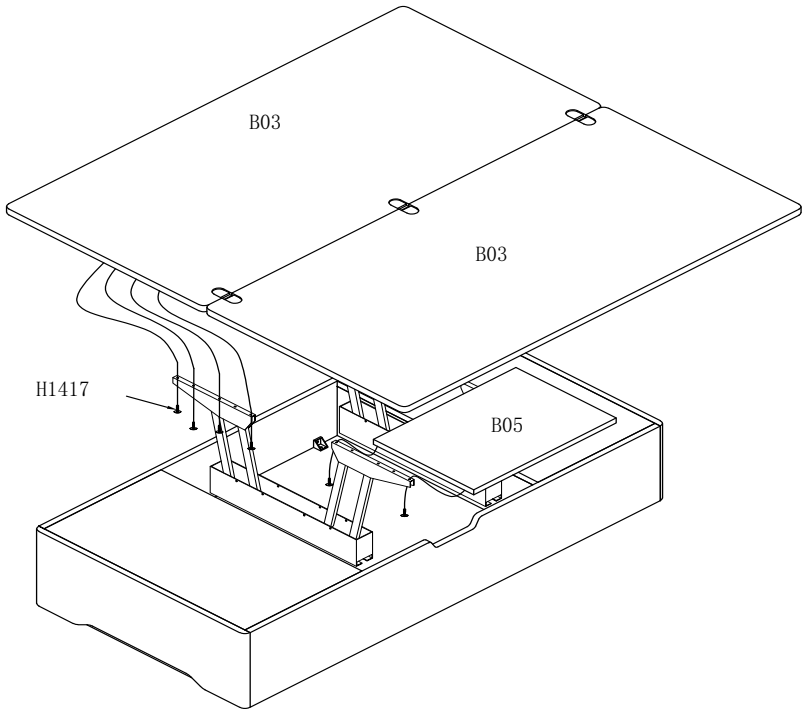
step 8



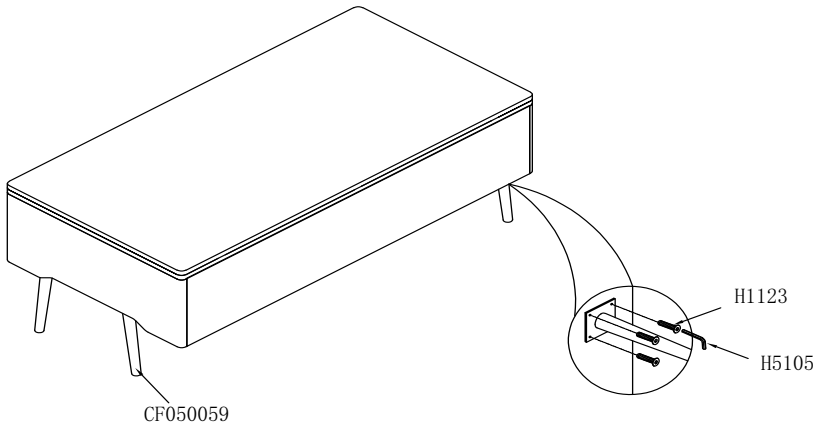
step 9



step 10



step 11



Start by turning the multipurpose table upside down, Then install the metal leg to the corresponding position with the flat head hexagon socket screws

