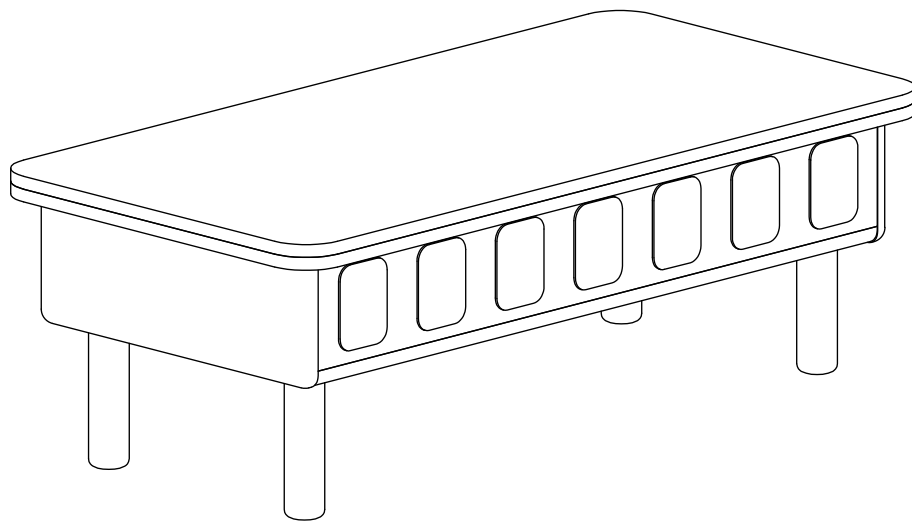




Coffee Table



CUSTOMER FIRST INTEGRITY

QEZEOMService@outlook.com

GuideTo Assembly Model:GA1637

Thank you for purchasing this product. Please read these instructions fully before starting assembly, then follow the simple step by step guide.

TOP TIPS BEFORE YOU START!

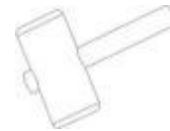
1. Please check that all parts & hardware are present before you start the assembly of your furniture. Do not destroy any of the packaging until you are certain that you have all the necessary parts for assembly.
2. For ease and speed of assembly, we recommend that before you commence each step of the assembly, please identify all the parts required for that step.
3. We recommend that where possible, all items are assembled near to the area in which they will be placed in use, to avoid moving the product unnecessarily once assembled.
4. For the protection of your furniture, particularly items of high gloss finish, we recommend that the product is placed on a protected surface during assembly to prevent any damage.
5. During assembly please take care not to over-tighten any fittings, as this may damage the product.
6. Keep children and animals away from the work area, small parts could cause choking if swallowed.

Tools Required For Assembly

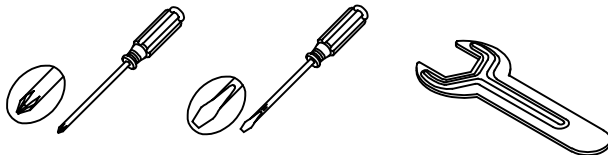


DO NOT USE POWER TOOLS TO ASSEMBLE THIS PRODUCT. USE OF POWER TOOLS WILL INVALIDATE ANY CLAIM AND MAY DAMAGE THIS PRODUCT MAKING IT UNSAFE.

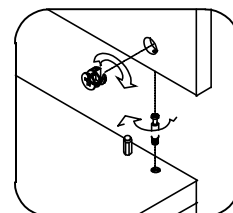
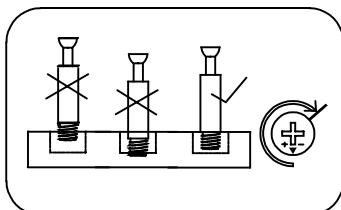
Rubber Hammer

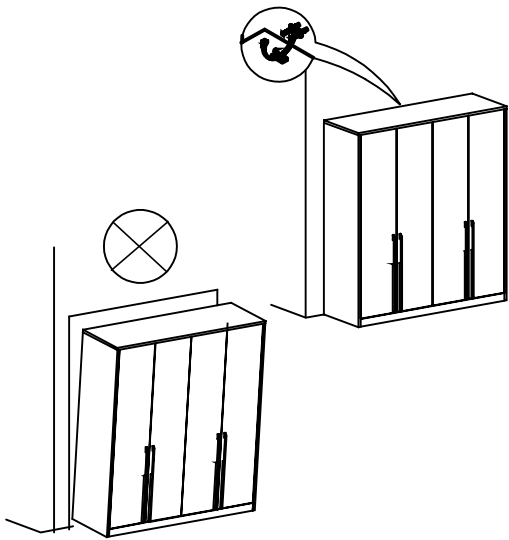


Self-provided general tool diagram:

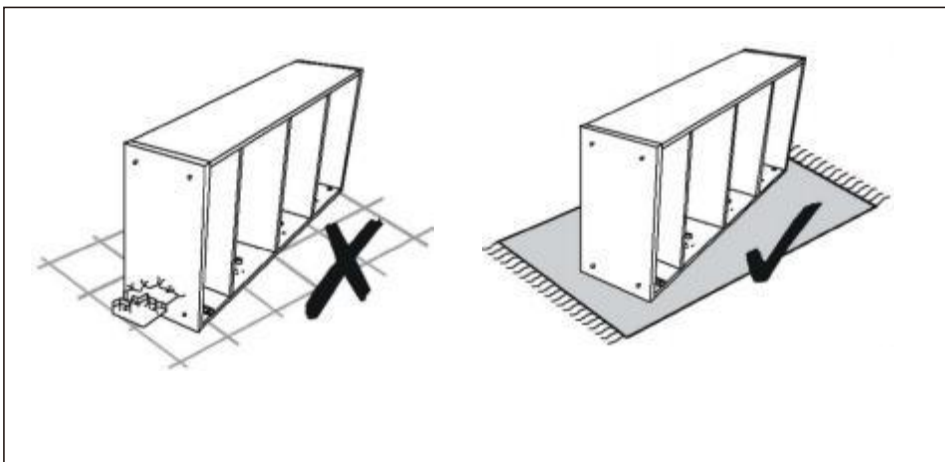
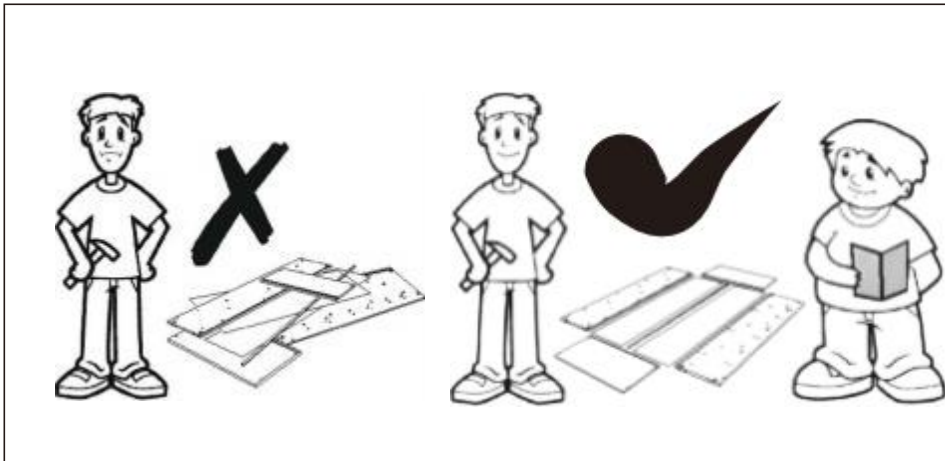


Tape Measure



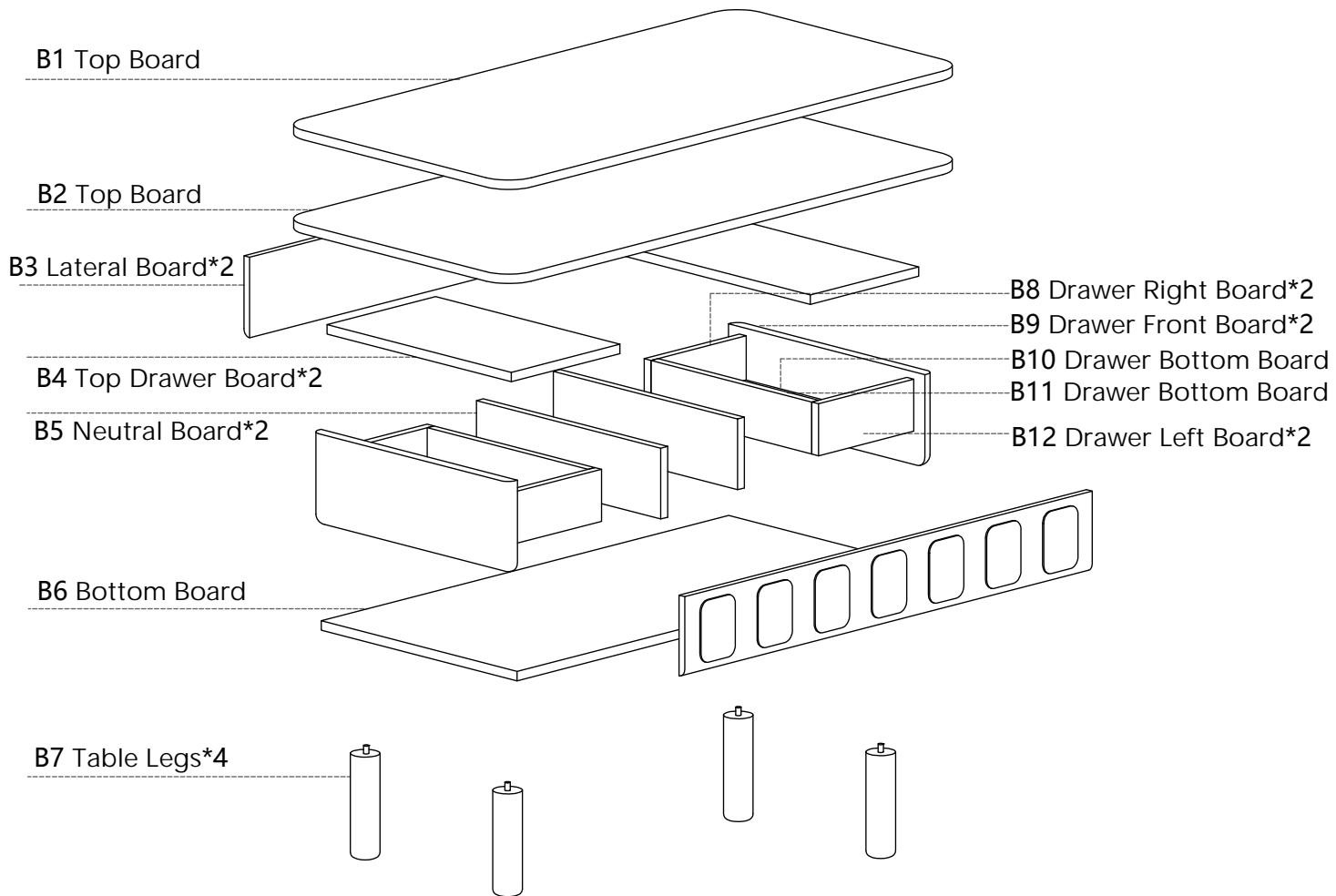


matters needing attention


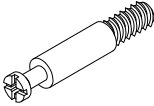

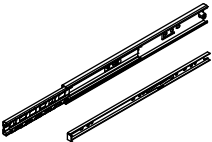

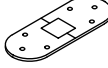


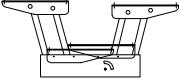



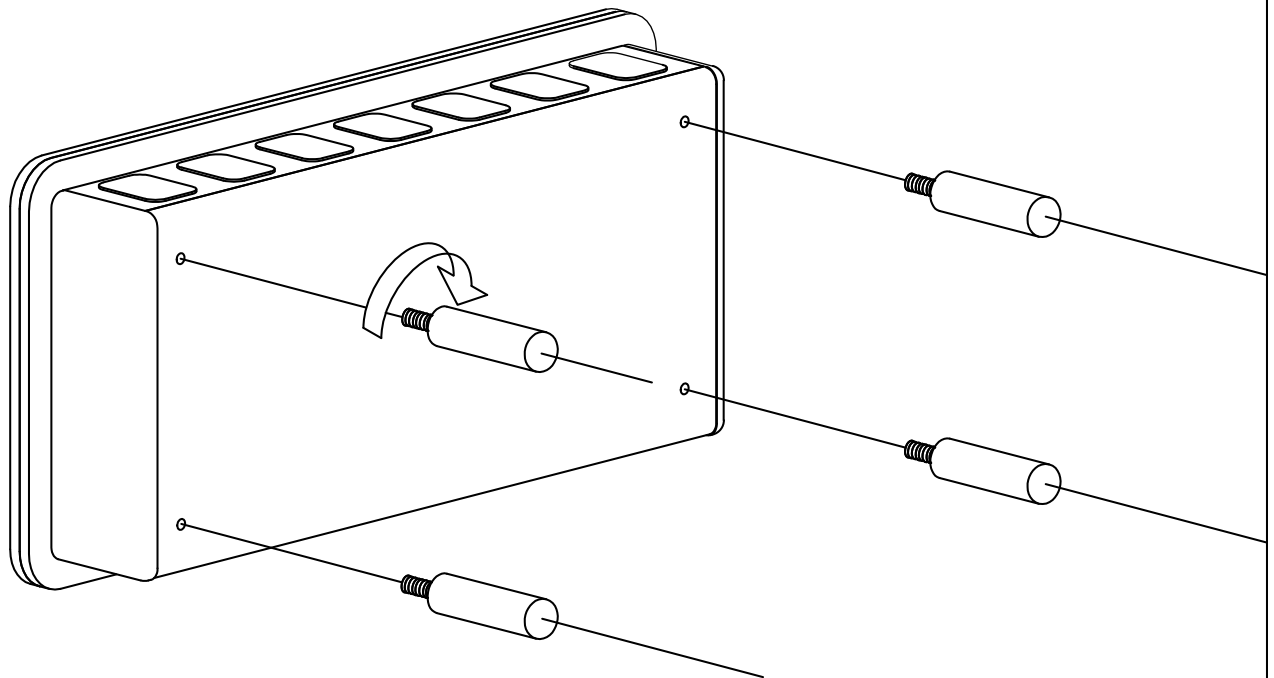
Bill of Material

B1 Top Board	B8 Drawer Right Board*2
B2 Top Board	B9 Drawer Front Board*2
B3 Lateral Board*2	B10 Drawer Bottom Board
B4 Drawer Top Board*2	B11 Drawer Botom Board
B5 Neutral Board*2	B12 Drawer Left Board*2
B6 Bottom Board	
B7 Table Leg*4	



Assembled Hardware

<p>H1201</p>  <p>Eccenter $\Phi 14.5 \times 11.5$ 50 pcs</p>	<p>H1101</p>  <p>3-in-1 Rod $\Phi 6 \times 40$ 50 pcs</p>	<p>H1402</p>  <p>Self-tapping Screw M3.5*14 36 pcs</p>	<p>HB0009</p>  <p>Slide Rail (10 inch long & 45mm wide)</p>	<p>H1113</p>  <p>Round Tenon $\Phi 8 \times 40$</p>	<p>H2211</p>  <p>Flat Hinge</p>	<p>H4108</p>  <p>Perfect Sticker warm white</p>	<p>H2509</p>  <p>Bumper pad</p>
<p>H6005</p>  <p>Lifting Frame</p>		<p>H2525</p>  <p>Single-sided Felt Pad</p>					



Check if there are any foreign objects on the protective pad. Place the cabinet on its side, with the side facing down. Align the legs with the pre-installed screw holes and tighten them securely.