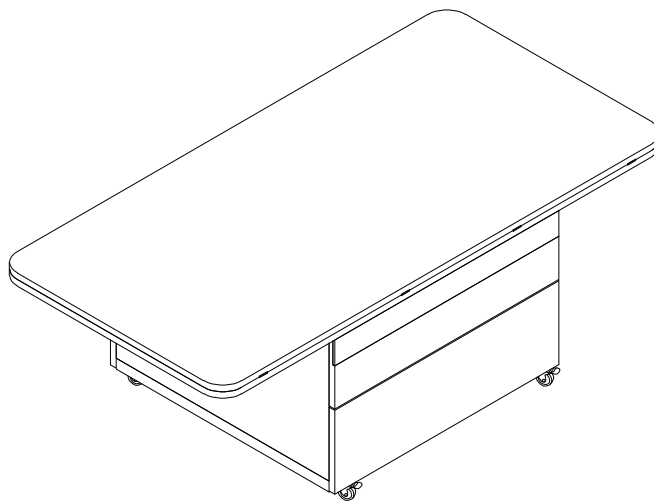




Coffee Table



CUSTOMER FIRST INTEGRITY

QEZEOMService@outlook.com

GuideTo Assembly Model: Q1449HW

Thank you for purchasing this product. Please read these instructions fully before starting assembly, then follow the simple step by step guide.

TOP TIPS BEFORE YOU START!

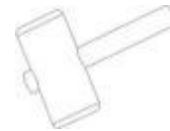
1. Please check that all parts & hardware are present before you start the assembly of your furniture. Do not destroy any of the packaging until you are certain that you have all the necessary parts for assembly.
2. For ease and speed of assembly, we recommend that before you commence each step of the assembly, please identify all the parts required for that step.
3. We recommend that where possible, all items are assembled near to the area in which they will be placed in use, to avoid moving the product unnecessarily once assembled.
4. For the protection of your furniture, particularly items of high gloss finish, we recommend that the product is placed on a protected surface during assembly to prevent any damage.
5. During assembly please take care not to over-tighten any fittings, as this may damage the product.
6. Keep children and animals away from the work area, small parts could cause choking if swallowed.

Tools Required For Assembly

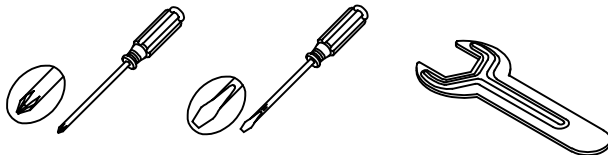


DO NOT USE POWER TOOLS TO ASSEMBLE THIS PRODUCT. USE OF POWER TOOLS WILL INVALIDATE ANY CLAIM AND MAY DAMAGE THIS PRODUCT MAKING IT UNSAFE.

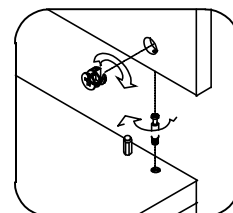
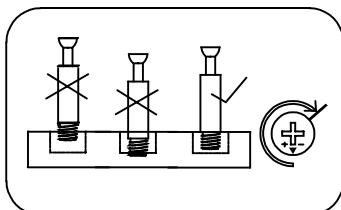
Rubber Hammer

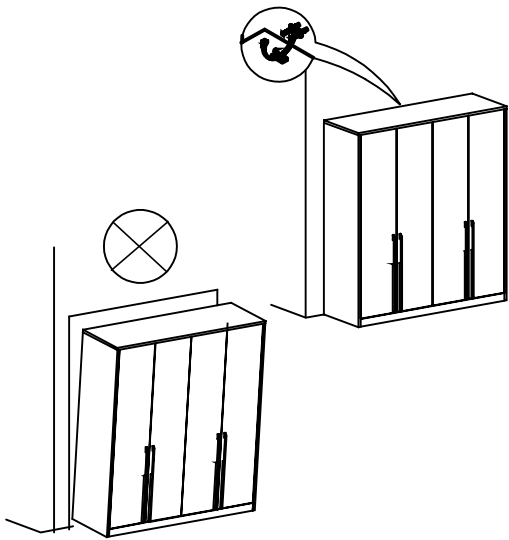


Self-provided general tool diagram:

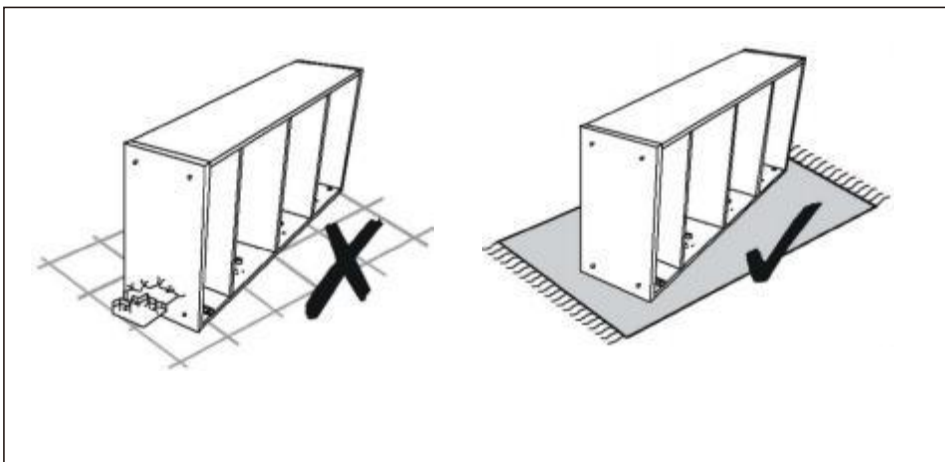
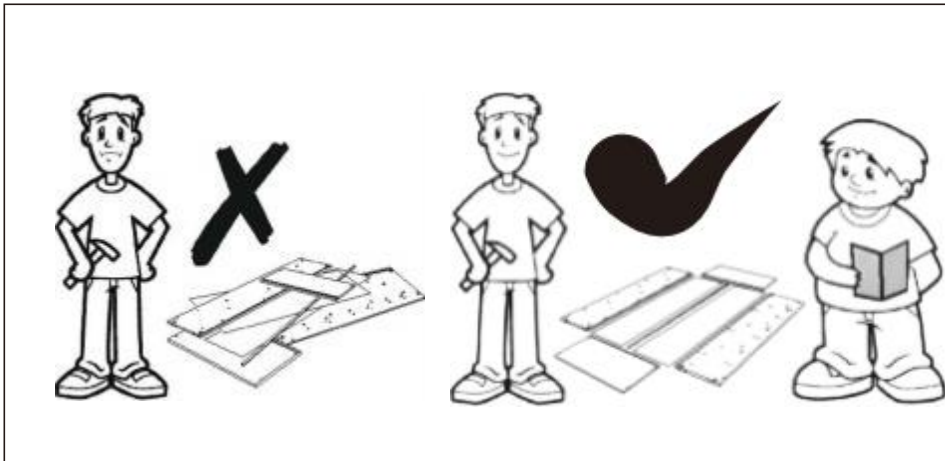


Tape Measure

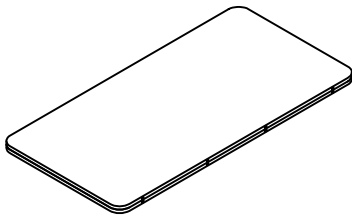




matters needing attention

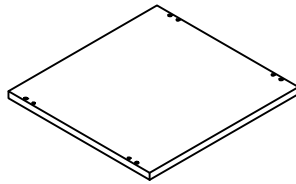


Panel List



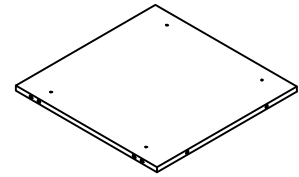
B01 B02 Tabletop panel

2 pcs



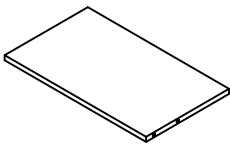
B03 Bottom panel

1 pcs



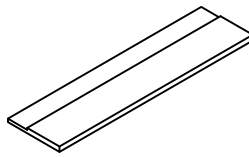
B04 Middle layer panel

1 pcs



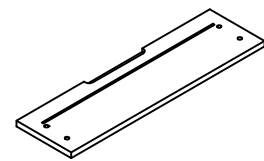
B05 Left & Right side panels

2 pcs



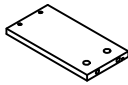
B06 Fake drawer panel

2 pcs



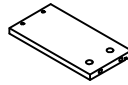
B07 Drawer front panel

2 pcs



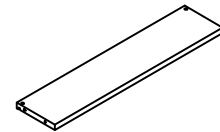
B8-1 Drawer left-side panel

2 pcs



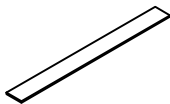
B8-2 Drawer right-side panel

2 pcs



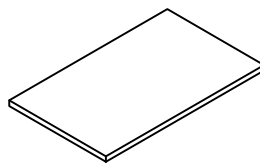
B09 Drawer back panel

2 pcs



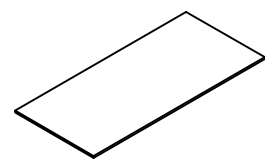
B10 Drawer trim panel

2 pcs



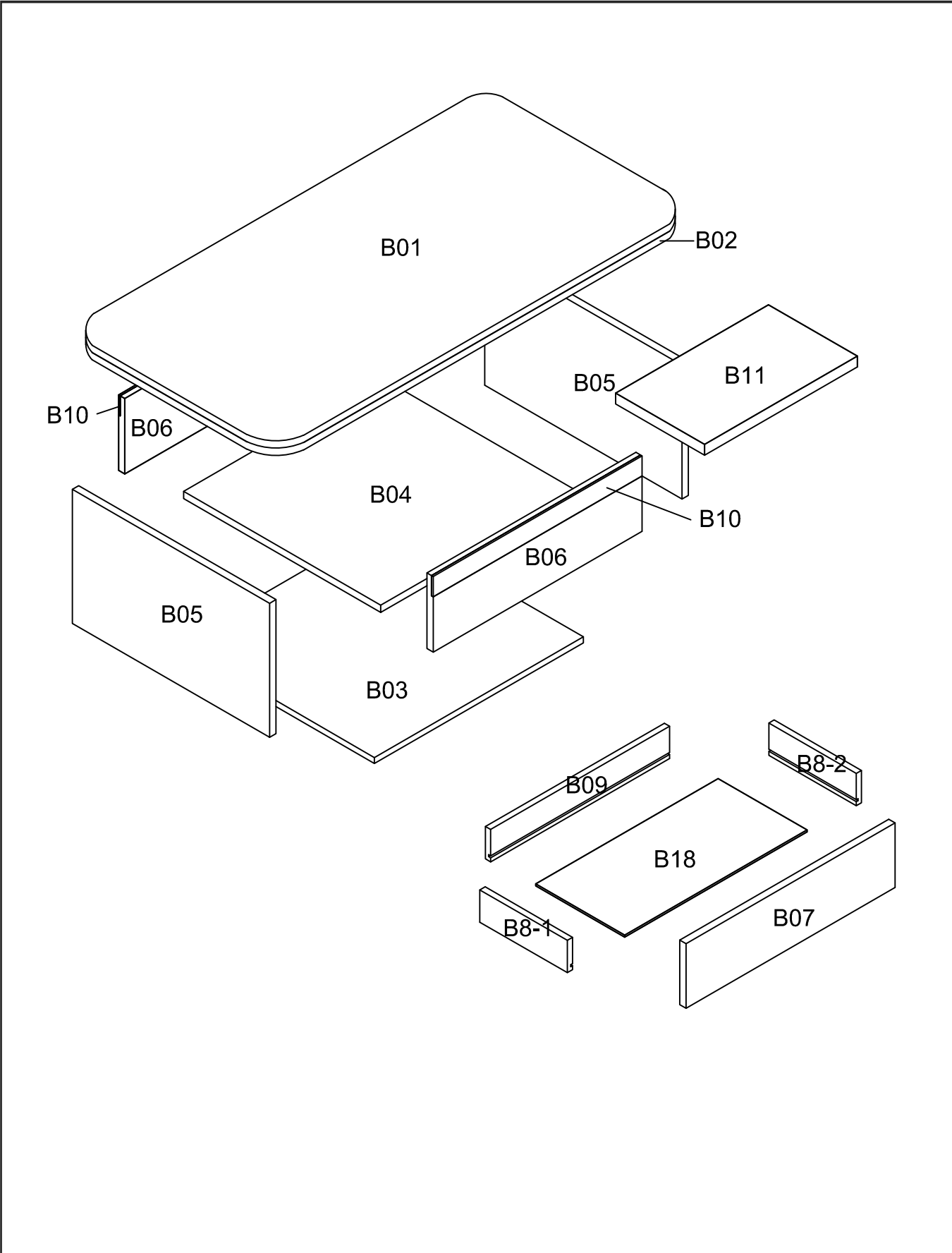
B11 Layer panel

1 pcs

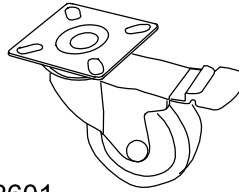


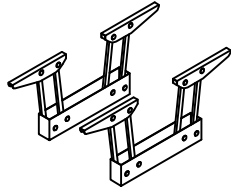


B18 Drawer bottom panel

2 pcs

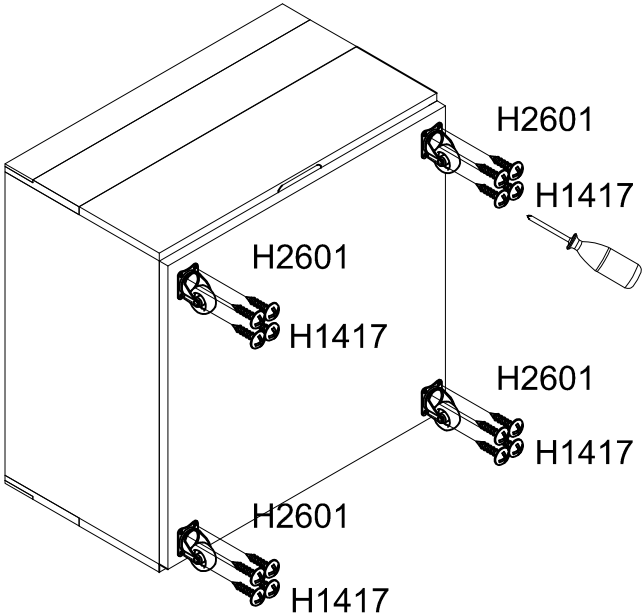


Hardware List

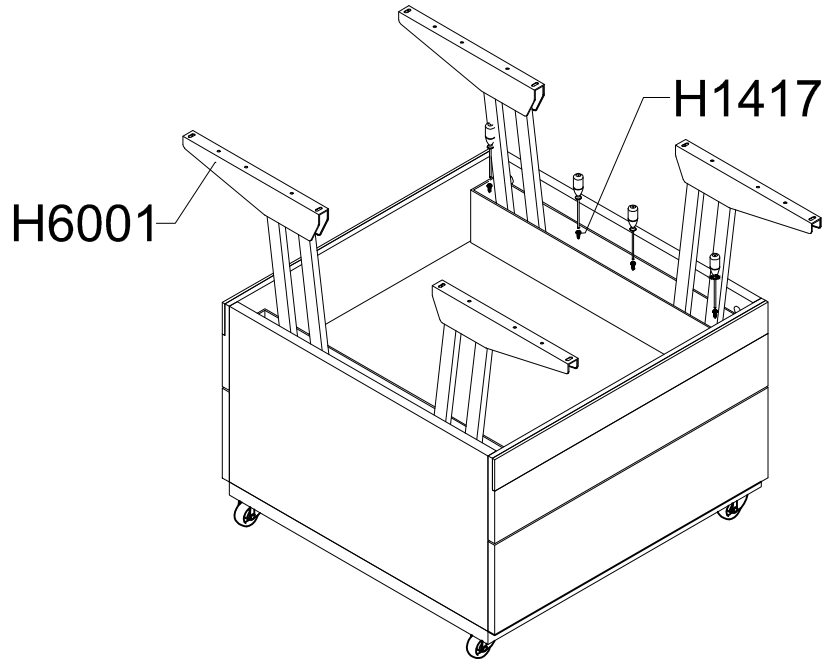
 <p>H2601 Load-bearing universal wheel with brake 4 pcs</p>	 <p>H1417 M5*14 Large cap self-tapping screw 44 pcs</p>	 <p>H1450 M3.5*12 Self-tapping Screw 4 pcs</p>	 <p>H6001(L+R) L560*W62*380 1 set</p>
--	--	---	--

Installation Steps

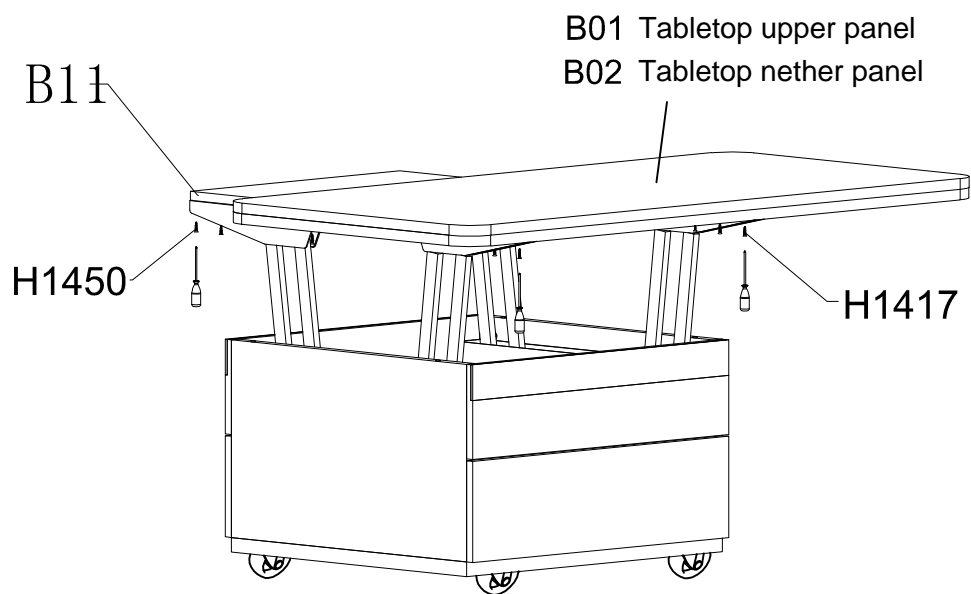
STEP 01

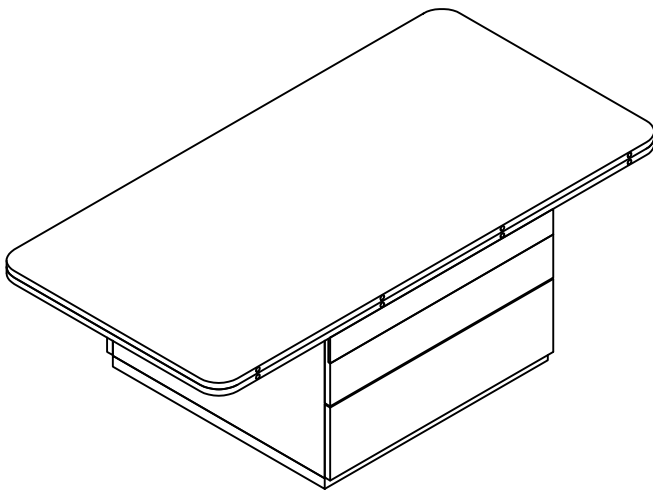


STEP 02

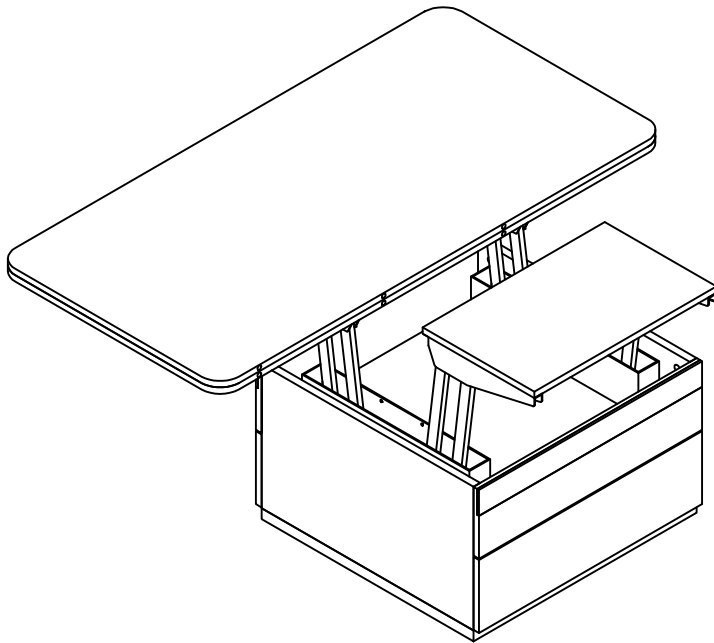


STEP 03

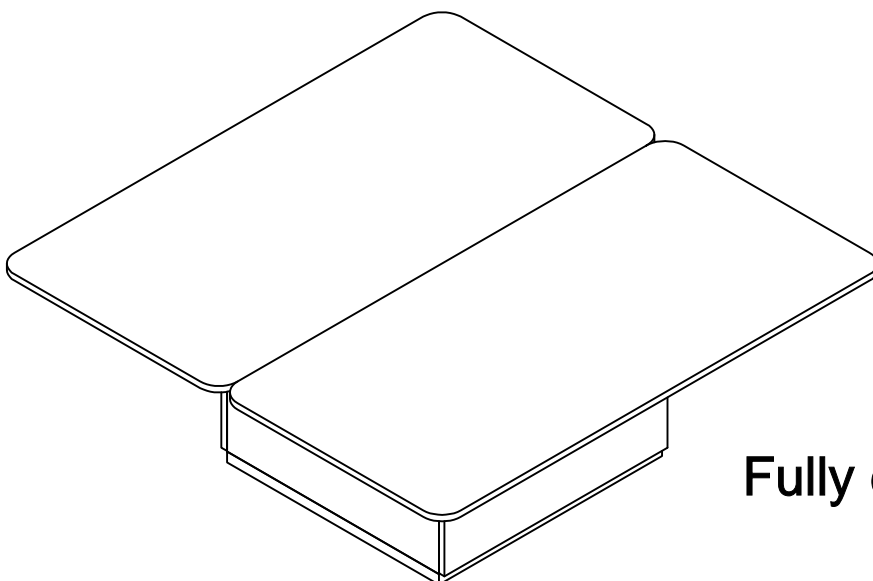




Folded state



Half unfolded state



Fully expanded state