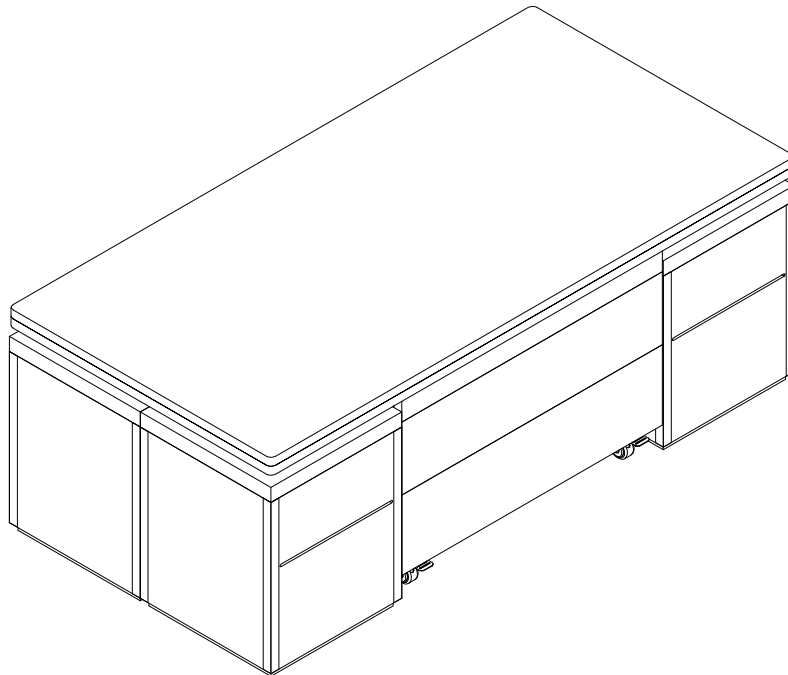




Coffee Table



CUSTOMER FIRST INTEGRITY

QEZEOMService@outlook.com

GuideTo Assembly Model:G520

Thank you for purchasing this product. Please read these instructions fully before starting assembly, then follow the simple step by step guide.

TOP TIPS BEFORE YOU START!

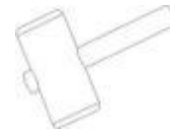
1. Please check that all parts & hardware are present before you start the assembly of your furniture. Do not destroy any of the packaging until you are certain that you have all the necessary parts for assembly.
2. For ease and speed of assembly, we recommend that before you commence each step of the assembly, please identify all the parts required for that step.
3. We recommend that where possible, all items are assembled near to the area in which they will be placed in use, to avoid moving the product unnecessarily once assembled.
4. For the protection of your furniture, particularly items of high gloss finish, we recommend that the product is placed on a protected surface during assembly to prevent any damage.
5. During assembly please take care not to over-tighten any fittings, as this may damage the product.
6. Keep children and animals away from the work area, small parts could cause choking if swallowed.

Tools Required For Assembly

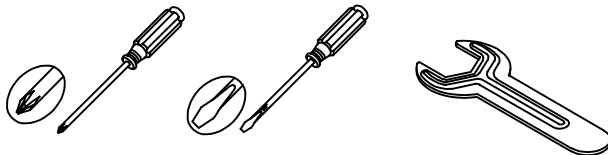


DO NOT USE POWER TOOLS TO ASSEMBLE THIS PRODUCT. USE OF POWER TOOLS WILL INVALIDATE ANY CLAIM AND MAY DAMAGE THIS PRODUCT MAKING IT UNSAFE.

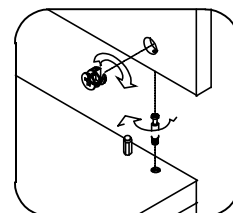
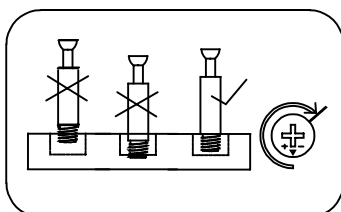
Rubber Hammer

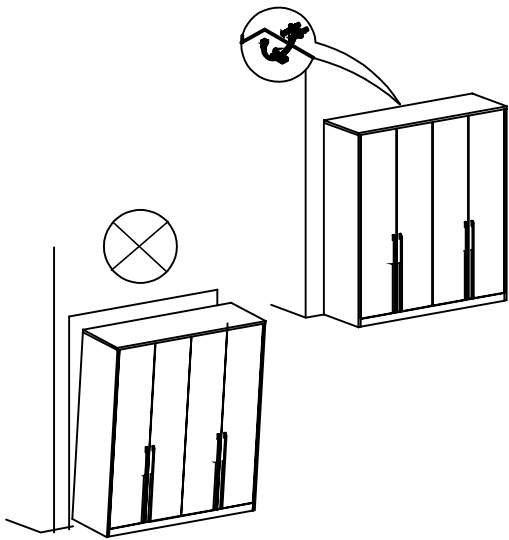


Self-provided general tool diagram:

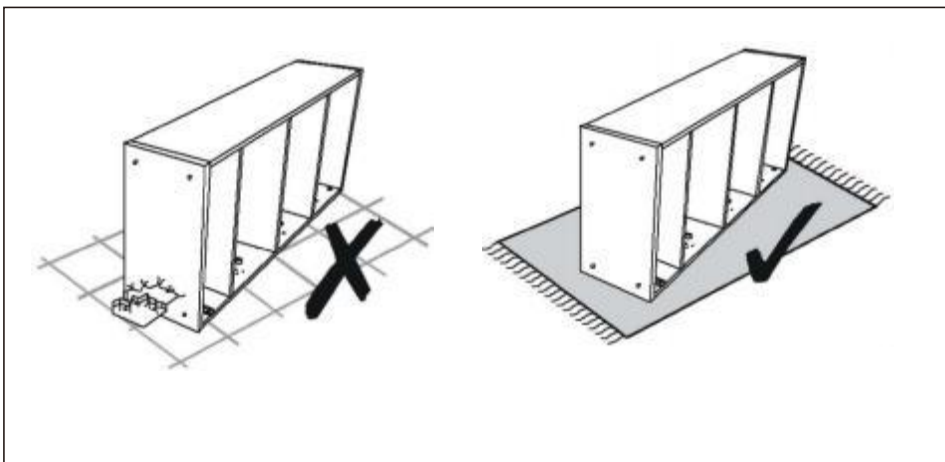
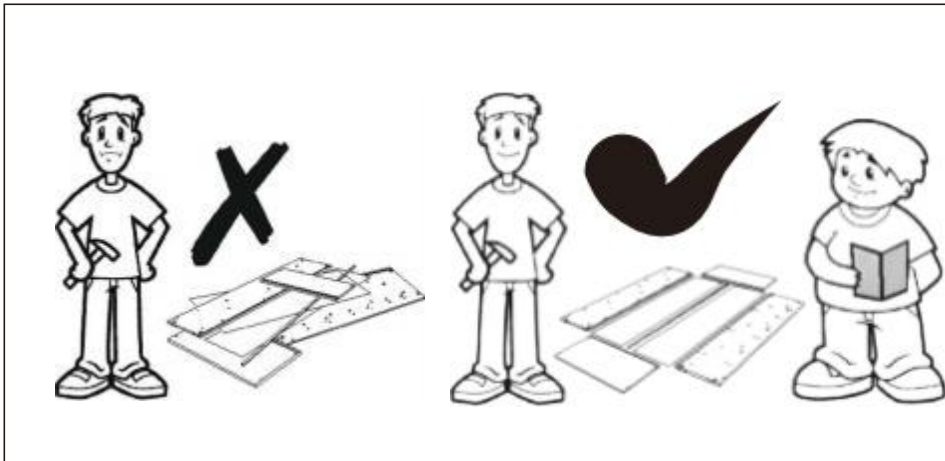


Tape Measure

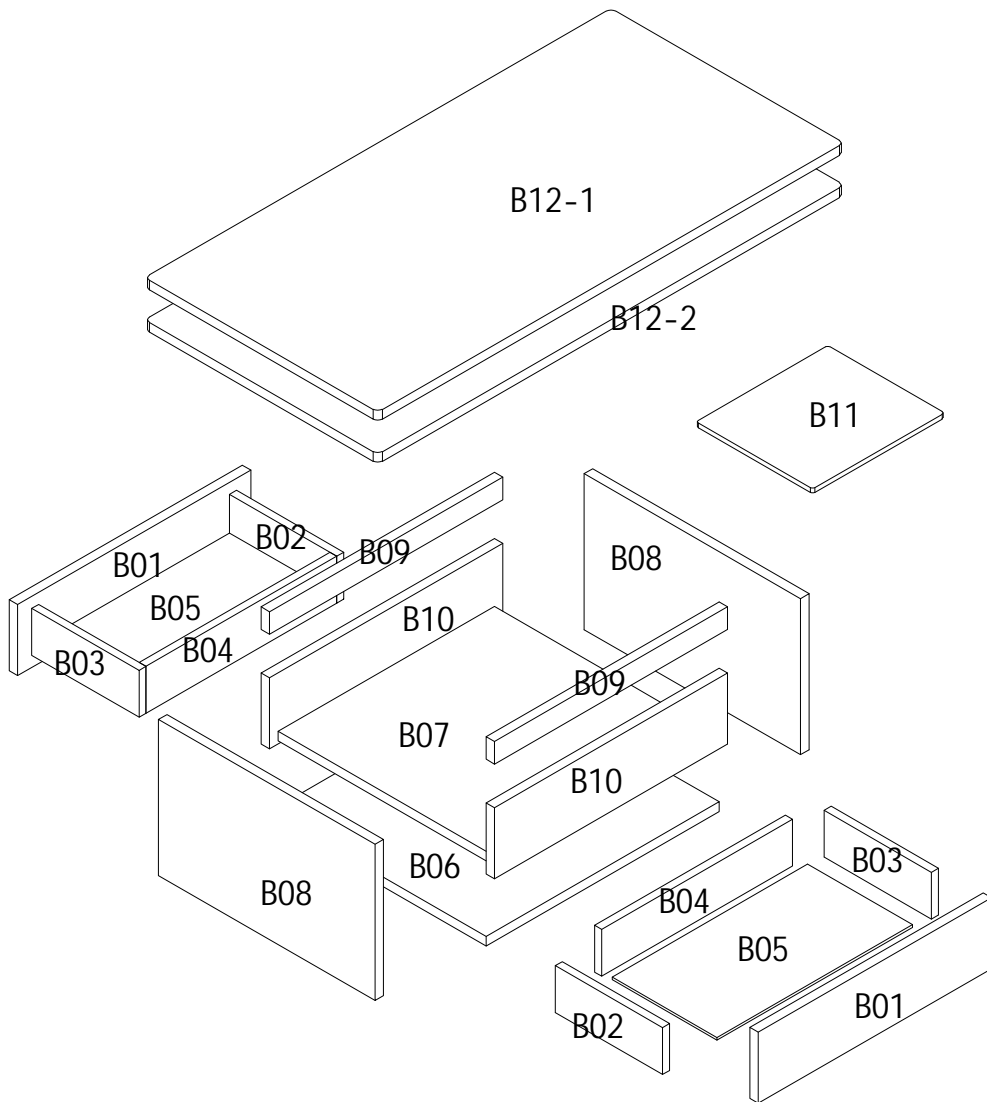




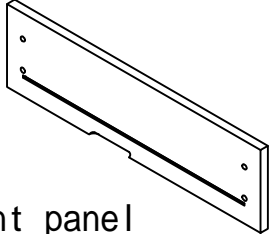
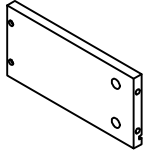
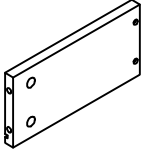
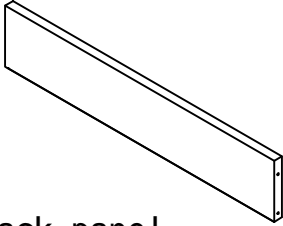
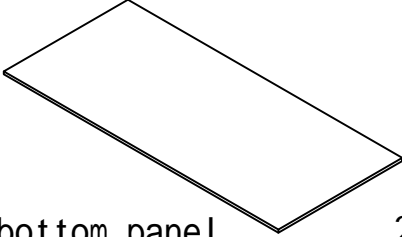
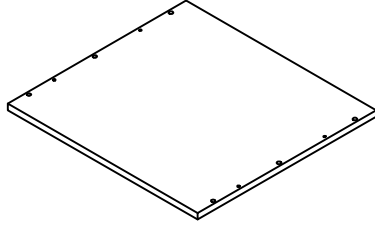
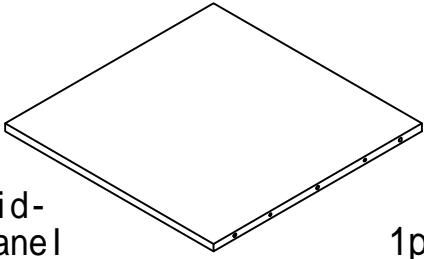
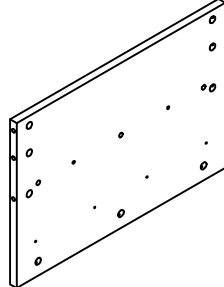
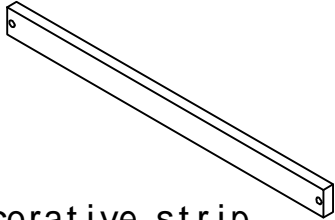
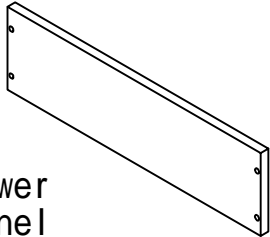
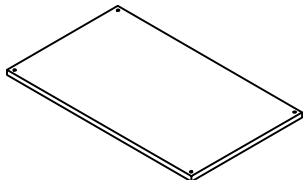
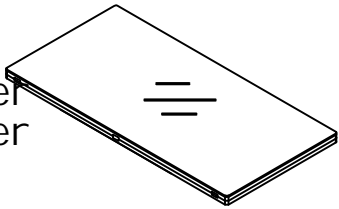
matters needing attention



G520 Coffee Table Panel List

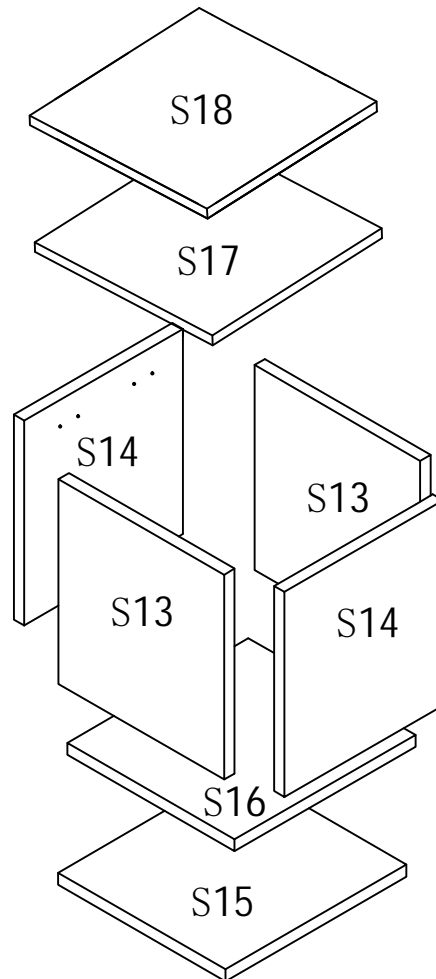


G520 Coffee Table Panel List

<p>B1</p>  <p>Drawer front panel 2pcs</p>	<p>B2</p>  <p>Left-side drawer panel 2pcs</p>
<p>B3</p>  <p>Right-side drawer panel 2pcs</p>	<p>B4</p>  <p>Drawer back panel 2pcs</p>
<p>B5</p>  <p>Drawer bottom panel 2pcs</p>	<p>B6</p>  <p>Table bottom panel 1pcs</p>
<p>B7</p>  <p>Table mid-layer panel 1pcs</p>	<p>B8</p>  <p>Table side panel 2pcs</p>
<p>B9</p>  <p>Table decorative strip 2pcs</p>	<p>B10</p>  <p>Fake drawer front panel 2pcs</p>
<p>B11</p>  <p>Small tabletop panel 1pcs</p>	<p>B12-1 Upper B12-2 Lower</p>  <p>Tabletop panel 1pcs</p>

G520 Stool Panel List

NO.	Panel Name	PCS	NO.	Panel Name	PCS
S13	Stool side panel	2	S16	Bottom panel	1
S14	Front&back panel	2	S17	Stool top panel	1
S15	Bottom pads panel	1	S18	Upholstered top panel	1



G520 Installation Hardware

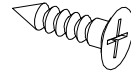
H4108



Perfect Sticker

20pcs

H1450



3.5*14

Self-tapping Screw

6pcs

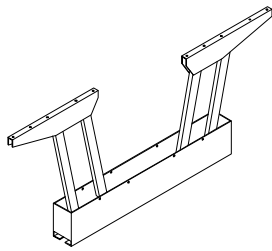
H1417



M5*16

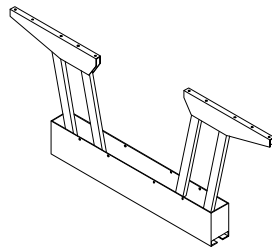
Clout Self-tapping Screw 36pcs

H6003(L)



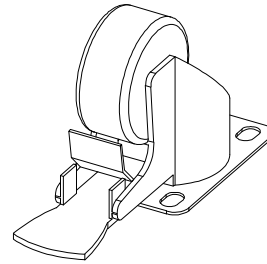
1pcs

H6003(R)

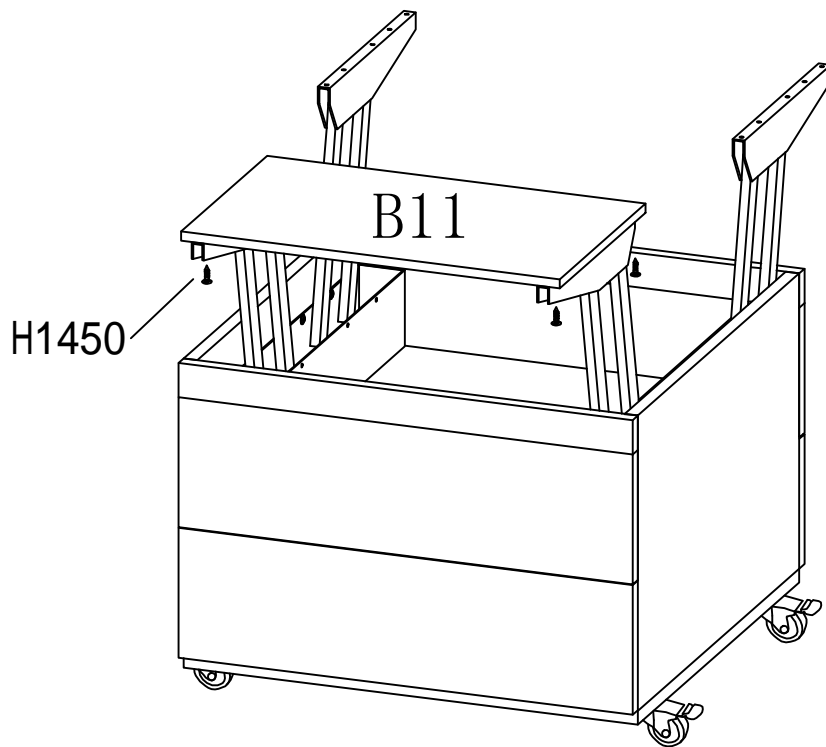
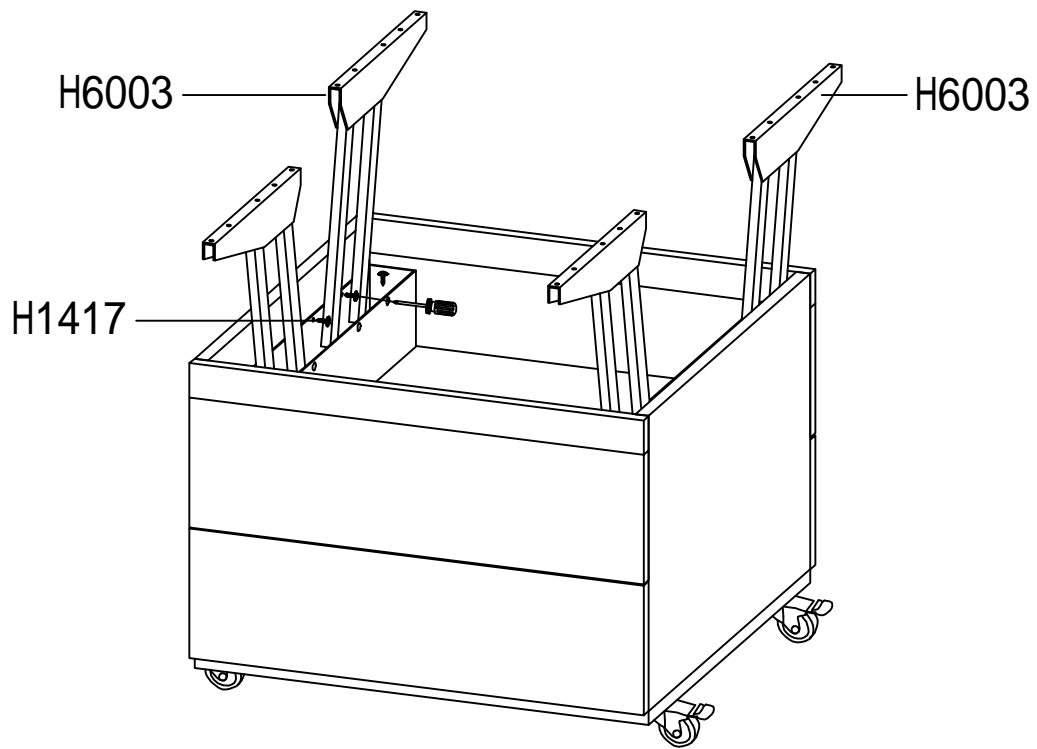


1pcs

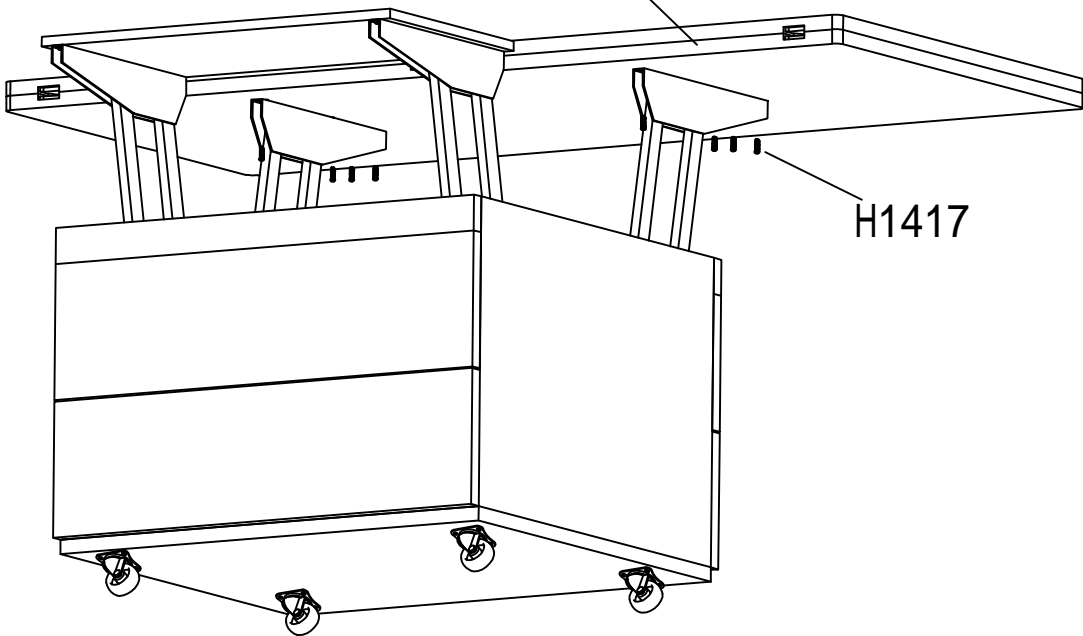
H2601



4pcs



B12-1 Upper
B12-2 Lower



H1417

