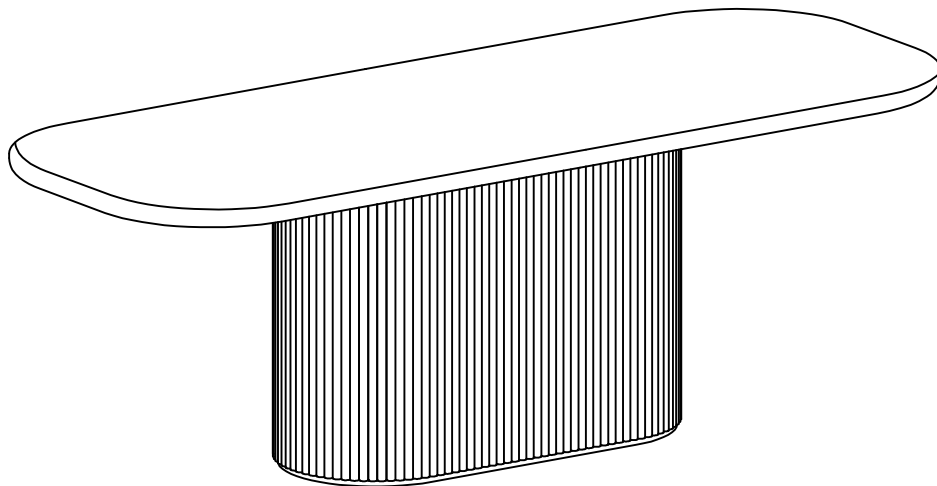




Dining Table



CUSTOMER FIRST INTEGRITY

customer-service-24hour@outlook.com

GuideTo Assembly Model: L5310-1.6

Thank you for purchasing this product. Please read these instructions fully before starting assembly, then follow the simple step by step guide.

TOP TIPS BEFORE YOU START!

1. Please check that all parts & hardware are present before you start the assembly of your furniture. Do not destroy any of the packaging until you are certain that you have all the necessary parts for assembly.
2. For ease and speed of assembly, we recommend that before you commence each step of the assembly, please identify all the parts required for that step.
3. We recommend that where possible, all items are assembled near to the area in which they will be placed in use, to avoid moving the product unnecessarily once assembled.
4. For the protection of your furniture, particularly items of high gloss finish, we recommend that the product is placed on a protected surface during assembly to prevent any damage.
5. During assembly please take care not to over-tighten any fittings, as this may damage the product.
6. Keep children and animals away from the work area, small parts could cause choking if swallowed.

Tools Required For Assembly

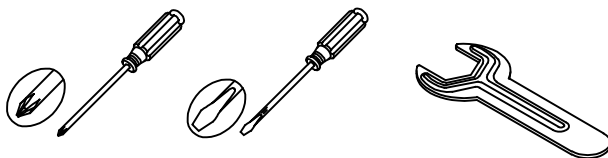


DO NOT USE POWER TOOLS TO ASSEMBLE THIS PRODUCT. USE OF POWER TOOLS WILL INVALIDATE ANY CLAIM AND MAY DAMAGE THIS PRODUCT MAKING IT UNSAFE.

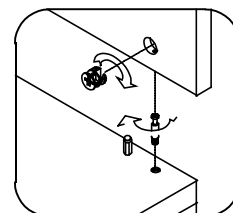
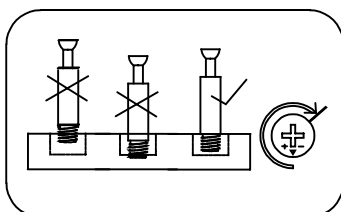
Rubber Hammer

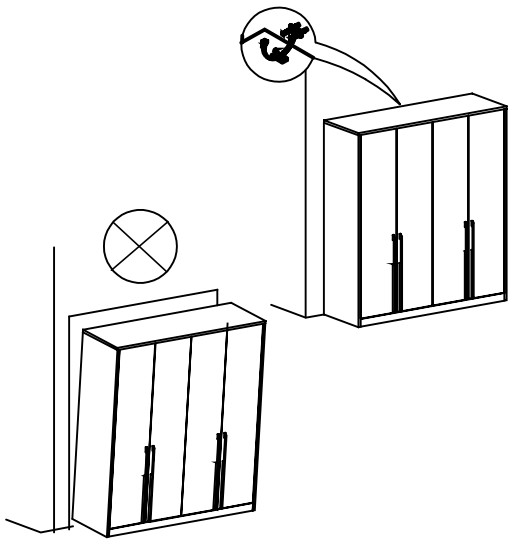


Self-provided general tool diagram:

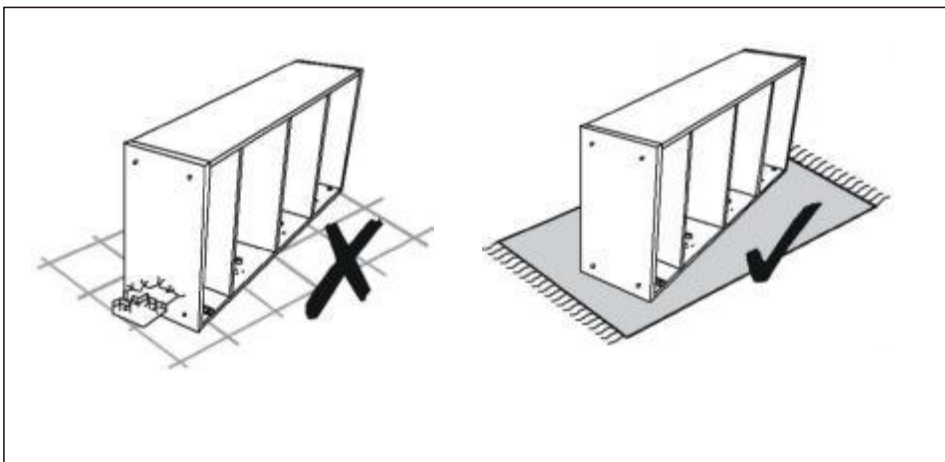
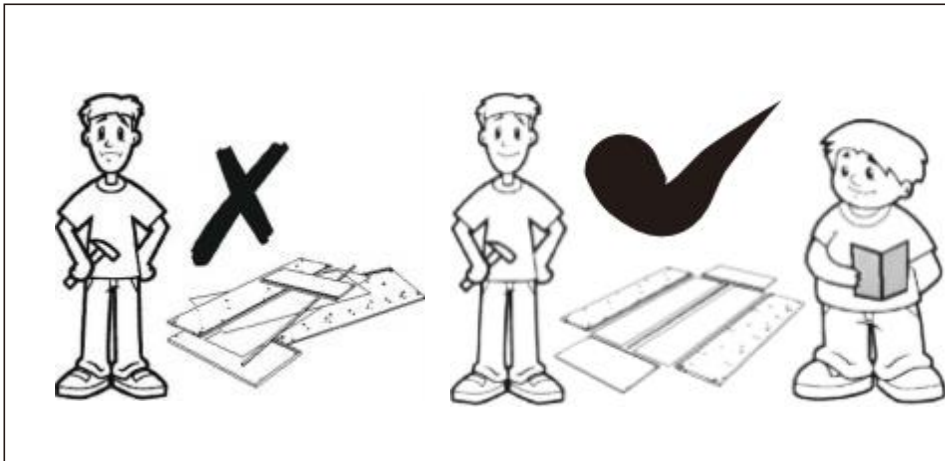


Tape Measure


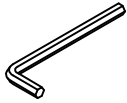

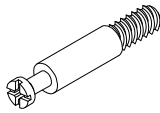
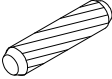






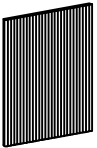
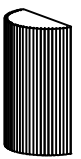

matters needing attention



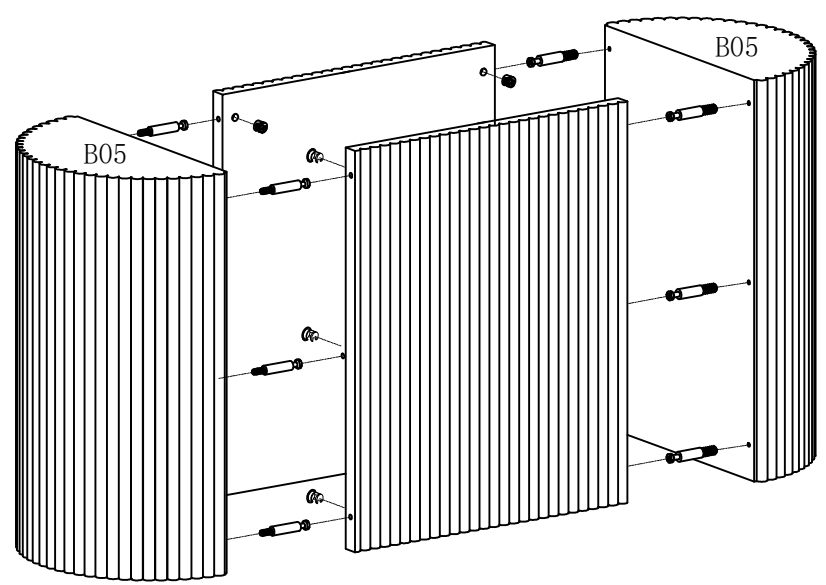
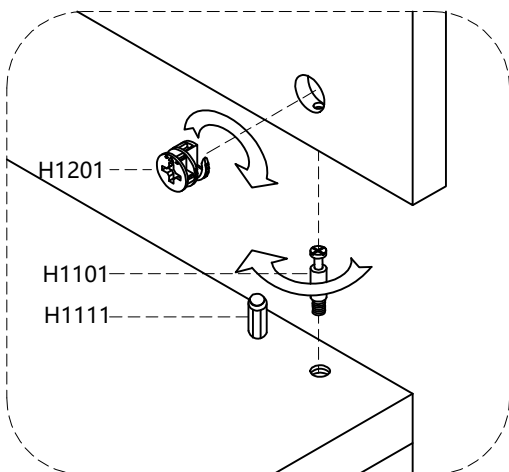
Hardware List for Installation of L5310-1.6m Dining Table

<p>H1130</p>  <p>Flat headhexagon socket screw M8 * 30</p> <p>20PCS</p>	<p>H5106</p>  <p>L-shaped external hexagonal wrench M8</p> <p>1PC</p>	<p>H1201</p>  <p>Eccentric wheel Φ 14.5 * 11.5</p> <p>12PCS</p>	<p>H1101</p>  <p>Three in one pole Φ 6 * 40</p> <p>12PCS</p>	<p>H1111</p>  <p>Circular tenon Φ 8 * 30</p> <p>8PCS</p>	
--	--	--	--	---	--

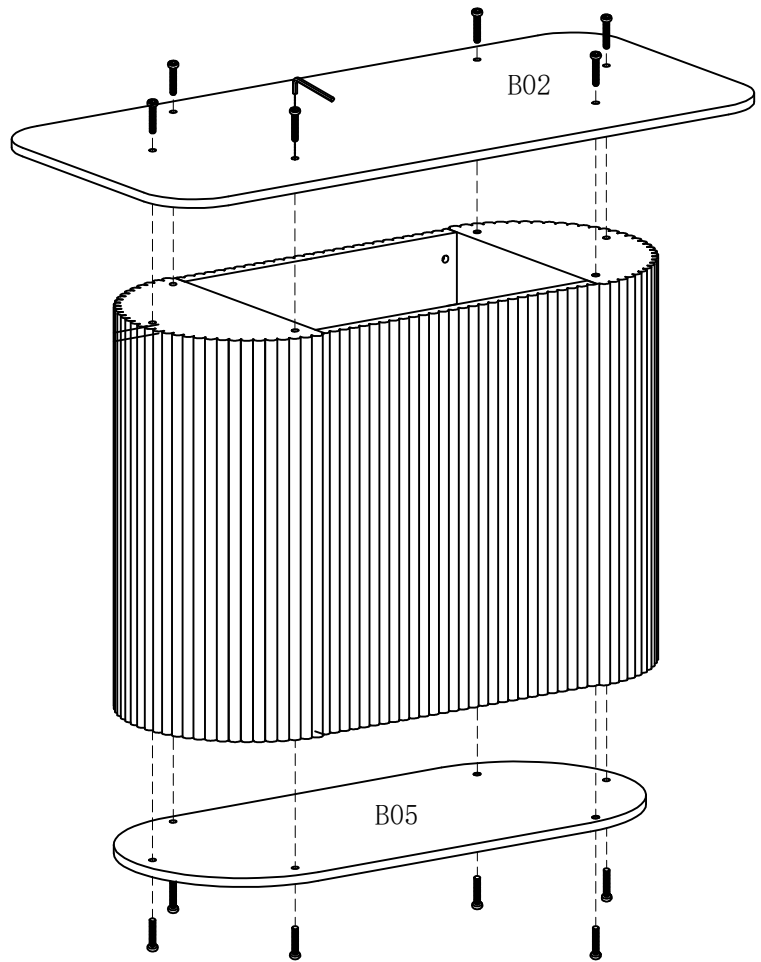
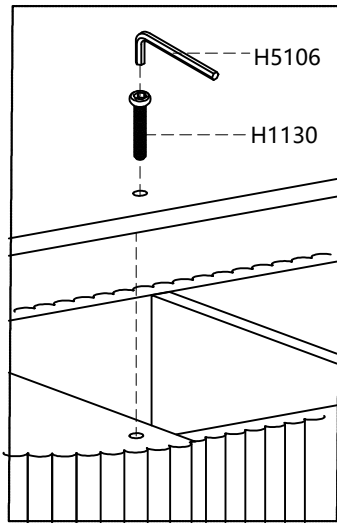
Installation steps for L5310-1.6 meter dining table

 <p>B01 Tabletop</p> <p>1PC</p>	 <p>B02 Connection Board</p> <p>1PC</p>	 <p>B03 Column frame side panel</p> <p>2PCS</p>	 <p>B04 sidepillar</p> <p>2PCS</p>
 <p>B05 bottomplate</p> <p>1PC</p>			

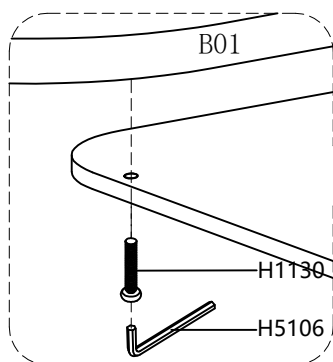
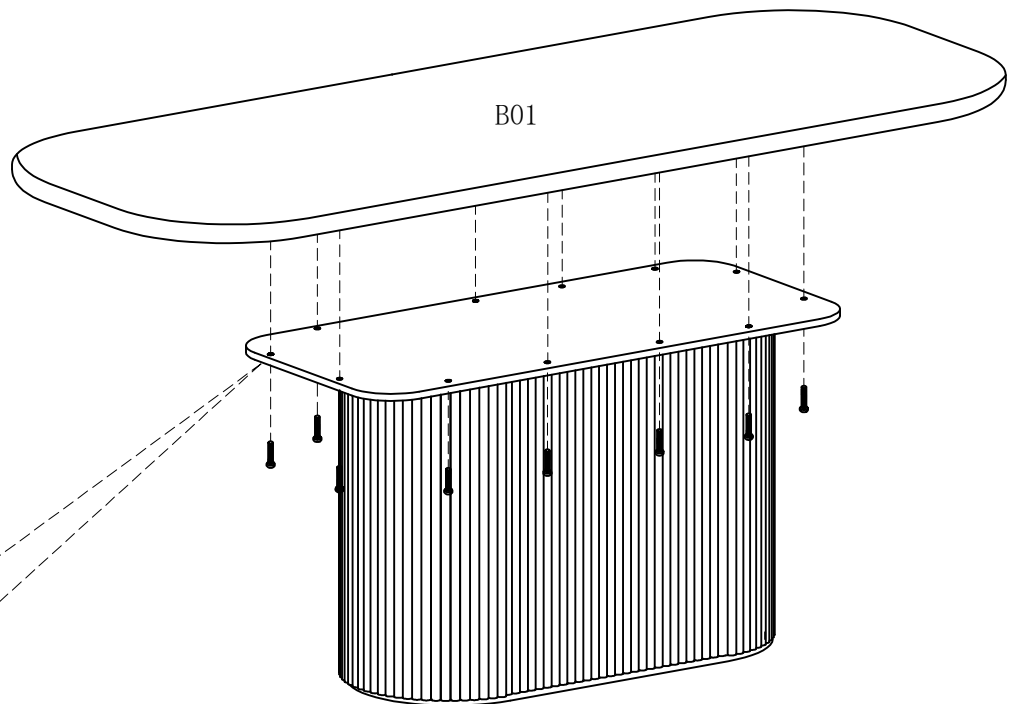
STEP 01



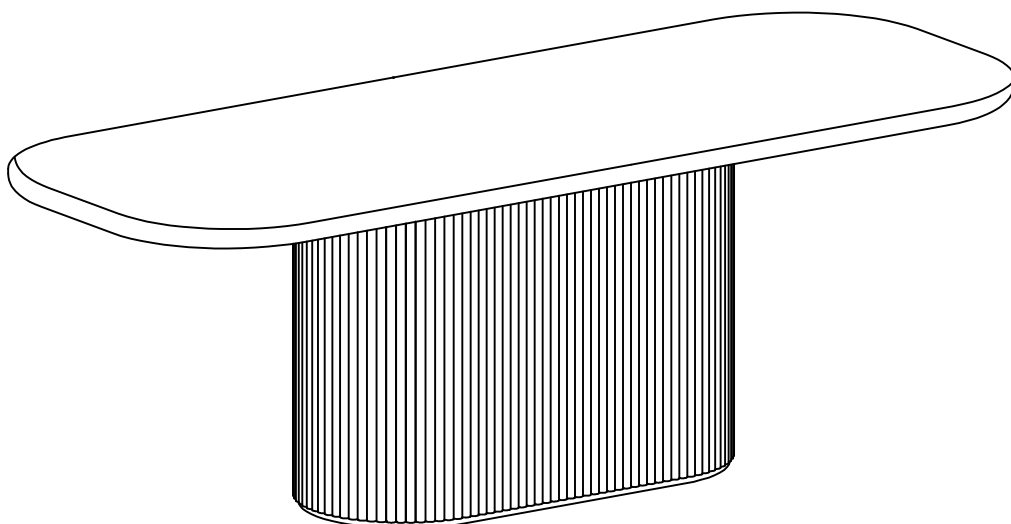
STEP 02



STEP 03



STEP 04



After assembly, pay attention to protecting the product finish when using it. Thank you for using the company's products.

List of after-sales accessories for L5310-1.6 meter dining table

