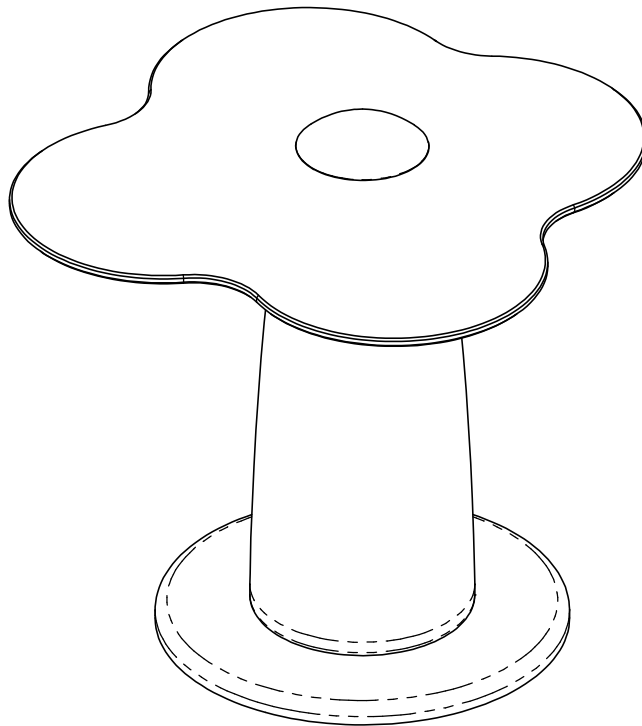


Coffee Table



CUSTOMER FIRST INTEGRITY

customer-service-24hour@outlook.com

GuideTo Assembly Model:C1531

Thank you for purchasing this product. Please read these instructions fully before starting assembly, then follow the simple step by step guide.

TOP TIPS BEFORE YOU START!

1. Please check that all parts & hardware are present before you start the assembly of your furniture. Do not destroy any of the packaging until you are certain that you have all the necessary parts for assembly.
2. For ease and speed of assembly, we recommend that before you commence each step of the assembly, please identify all the parts required for that step.
3. We recommend that where possible, all items are assembled near to the area in which they will be placed in use, to avoid moving the product unnecessarily once assembled.
4. For the protection of your furniture, particularly items of high gloss finish, we recommend that the product is placed on a protected surface during assembly to prevent any damage.
5. During assembly please take care not to over-tighten any fittings, as this may damage the product.
6. Keep children and animals away from the work area, small parts could cause choking if swallowed.

Tools Required For Assembly

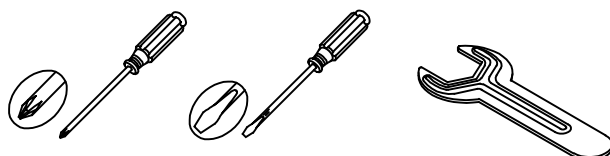


DO NOT USE POWER TOOLS TO ASSEMBLE THIS PRODUCT. USE OF POWER TOOLS WILL INVALIDATE ANY CLAIM AND MAY DAMAGE THIS PRODUCT MAKING IT UNSAFE.

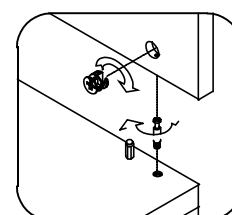
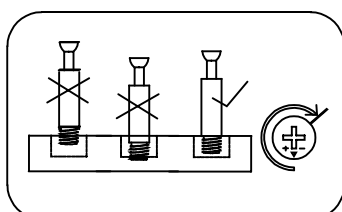
Rubber Hammer

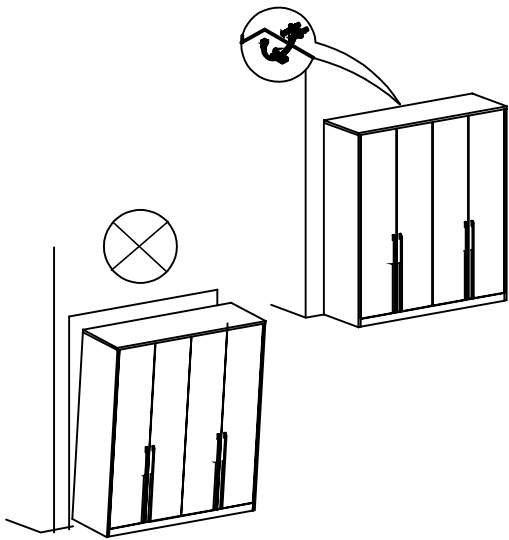


Self-provided general tool diagram:

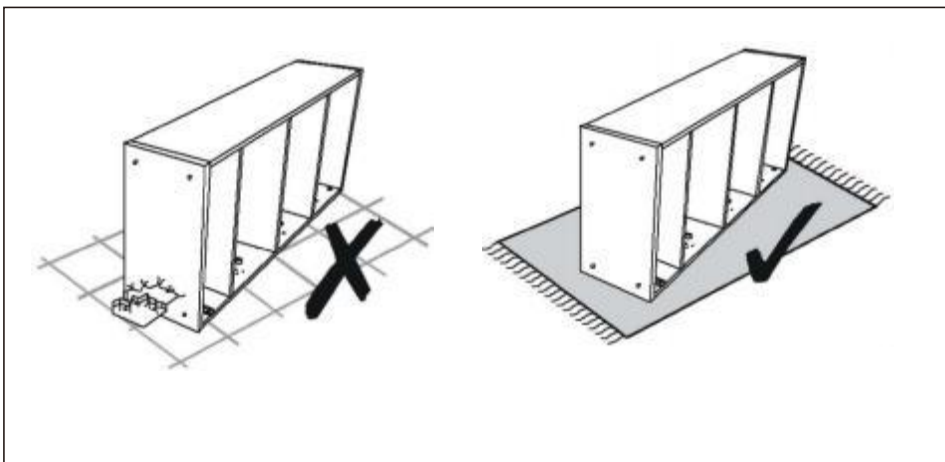
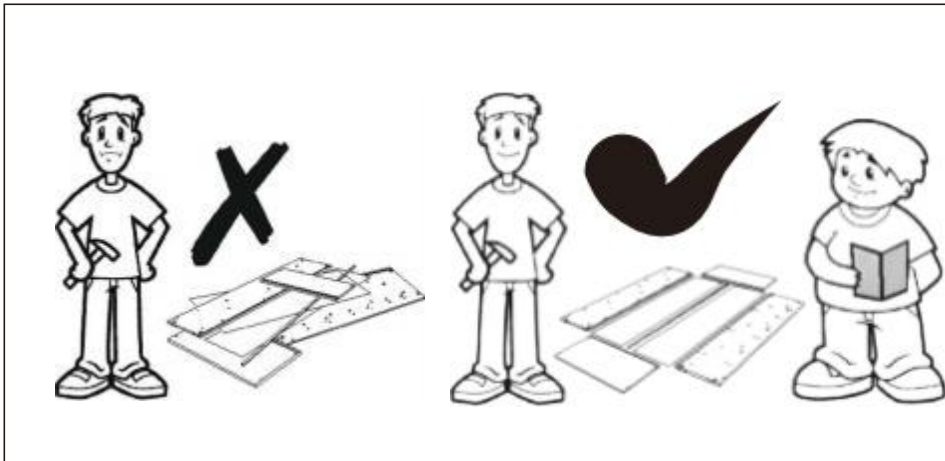


Tape Measure

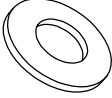

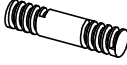
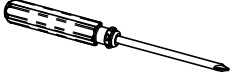




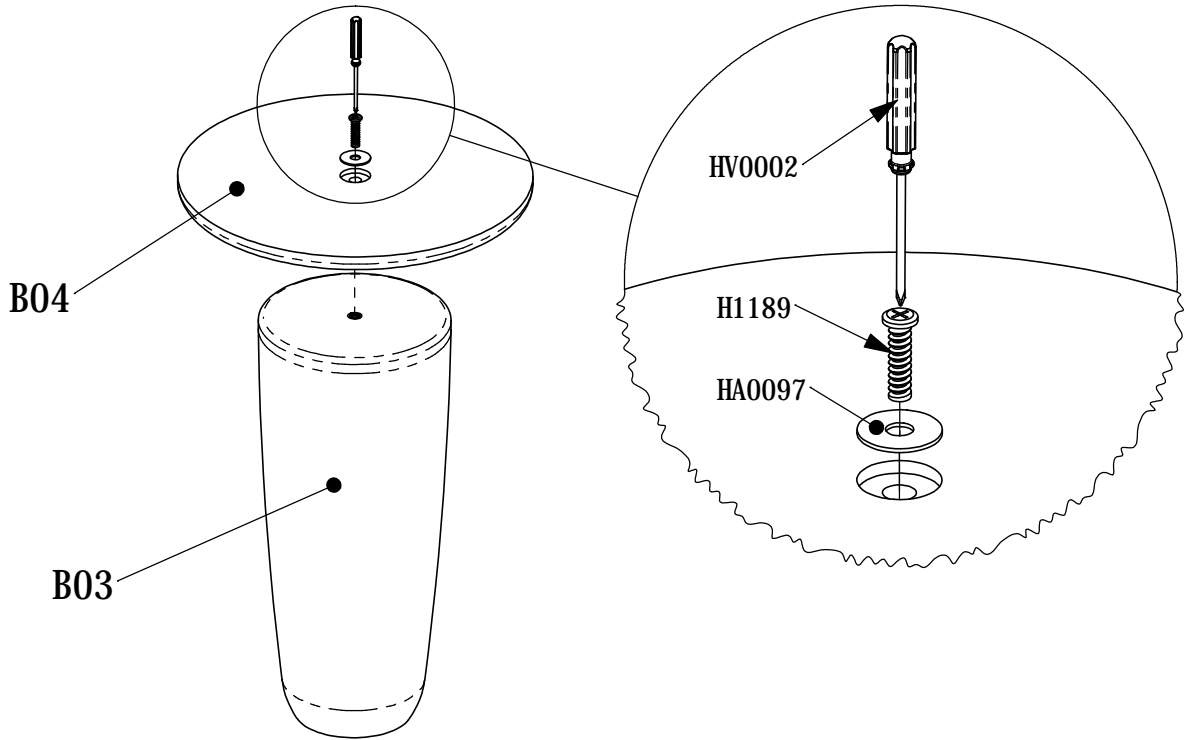
matters needing attention



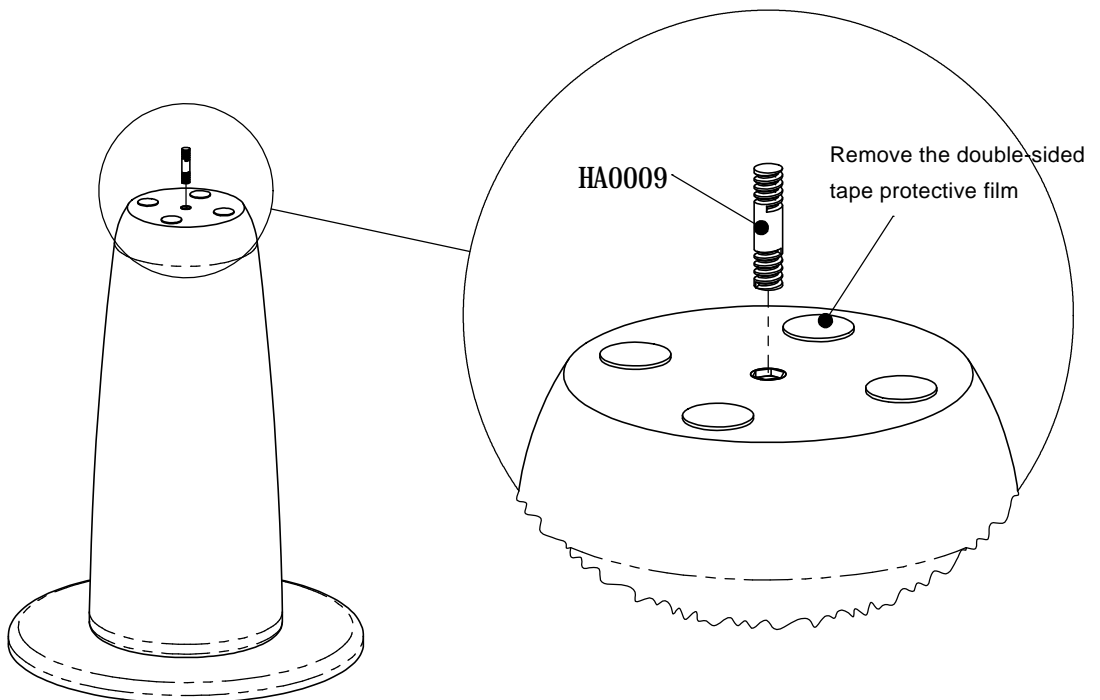
Installation Hardware List

<p>HA0097</p>  <p>Gasket M10*30</p> <p style="text-align: right;">1PCS</p>	<p>H1189</p>  <p>Flathead Cross Screw M8*30</p> <p style="text-align: right;">1PCS</p>	<p>HA0009</p>  <p>Double lead screw M8*30</p> <p style="text-align: right;">1PCS</p>	<p>HV0002</p>  <p>Phillips screwdriver</p> <p style="text-align: right;">1PCS</p>
---	---	--	--

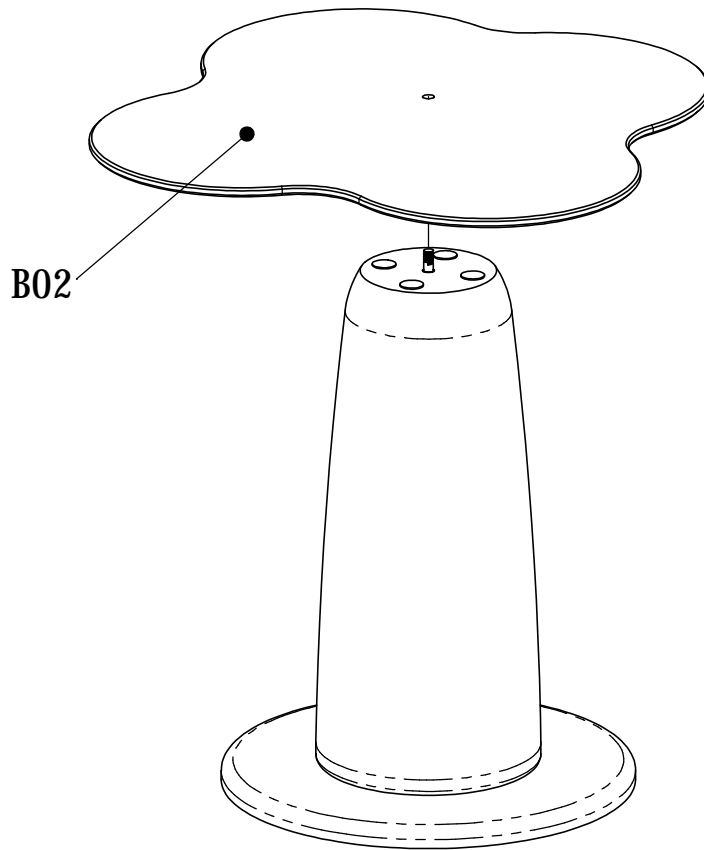
STEP 01



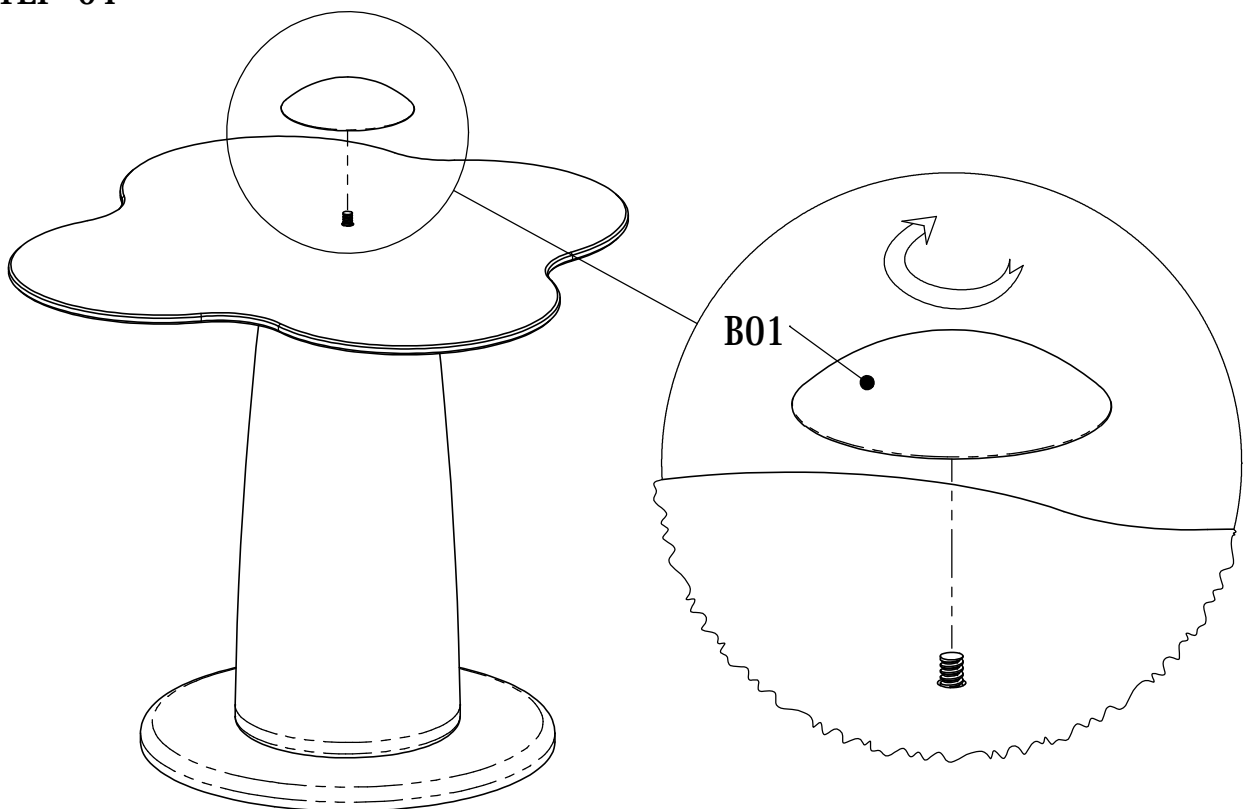
STEP 02



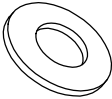


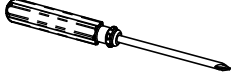

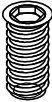

STEP 03



STEP 04



After-sales Hardware List

<p>HA0097</p>  <p>Gasket M10*30 1PCS</p>	<p>H1189</p>  <p>Flathead Cross Screw M8*30 1PCS</p>	<p>HA0009</p>  <p>Double lead screw M8*30 1PCS</p>	<p>HV0002</p>  <p>Phillips screwdriver 1PCS</p>
<p>H1331</p>  <p>Internal and external nut M8*15 2PCS</p>	<p>H1325</p>  <p>Internal and external nut M8*25 1PCS</p>	<p>H6093</p>  <p>Double sided tape disc 20 4PCS</p>	

After-sales Part List

Comparison table

B01*1 decorative cover
B02*1 glass
B03*1 socle
B04*1 pedestal

