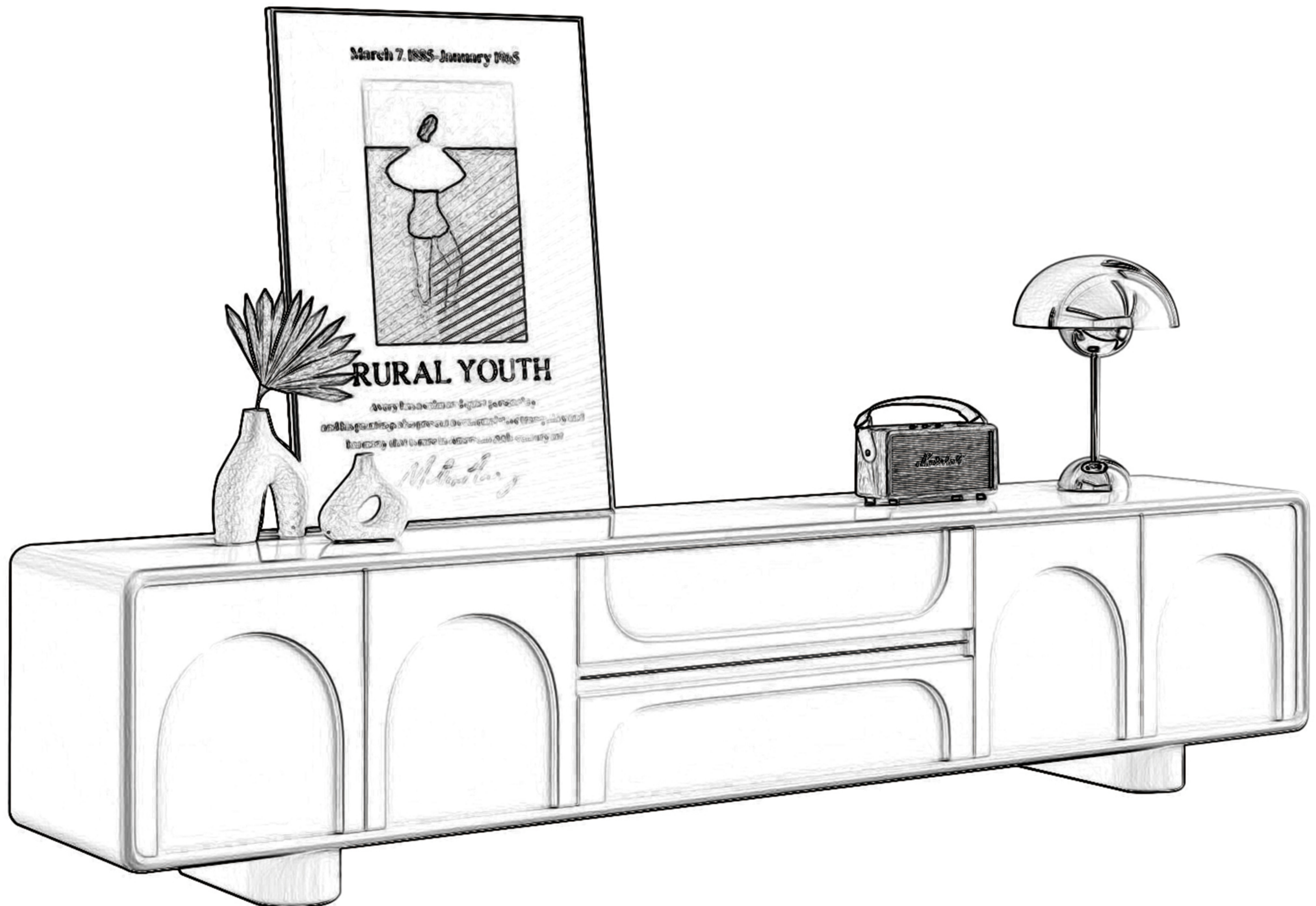


# PRODUCT CARE HANDBOOK

a guide to protect your product



Made of 100%  
recyclable materials



866-504-7728



support@guyii.com

www.guyii.com



Thank you for purchasing this product. Please read these instructions fully before starting assembly, then follow the simple step by step guide.

## TOP TIPS BEFORE YOU START!

1. Please check that all parts & hardware are present before you start the assembly of your furniture. Do not destroy any of the packaging until you are certain that you have all the necessary parts for assembly.
2. For ease and speed of assembly, we recommend that before you commence each step of the assembly, please identify all the parts required for that step.
3. We recommend that where possible, all items are assembled near to the area in which they will be placed in use, to avoid moving the product unnecessarily once assembled.
4. For the protection of your furniture, particularly items of high gloss finish, we recommend that the product is placed on a protected surface during assembly to prevent any damage.
5. During assembly please take care not to over-tighten any fittings, as this may damage the product.
6. Keep children and animals away from the work area, small parts could cause choking if swallowed.

## Tools Required For Assembly

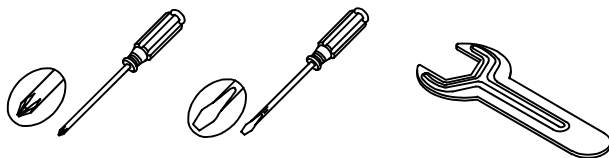


DO NOT USE POWER TOOLS TO ASSEMBLE THIS PRODUCT. USE OF POWER TOOLS WILL INVALIDATE ANY CLAIM AND MAY DAMAGE THIS PRODUCT MAKING IT UNSAFE.

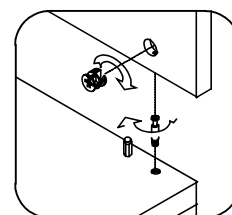
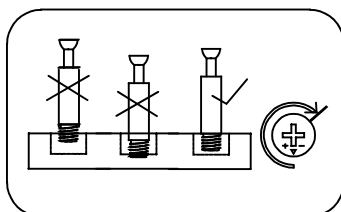
Rubber Hammer

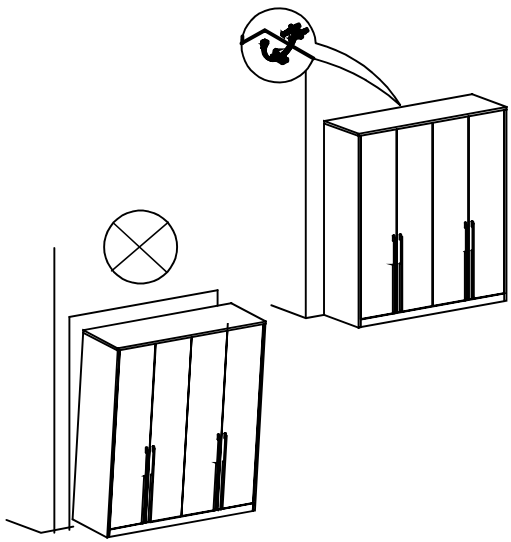


Self-provided general tool diagram:

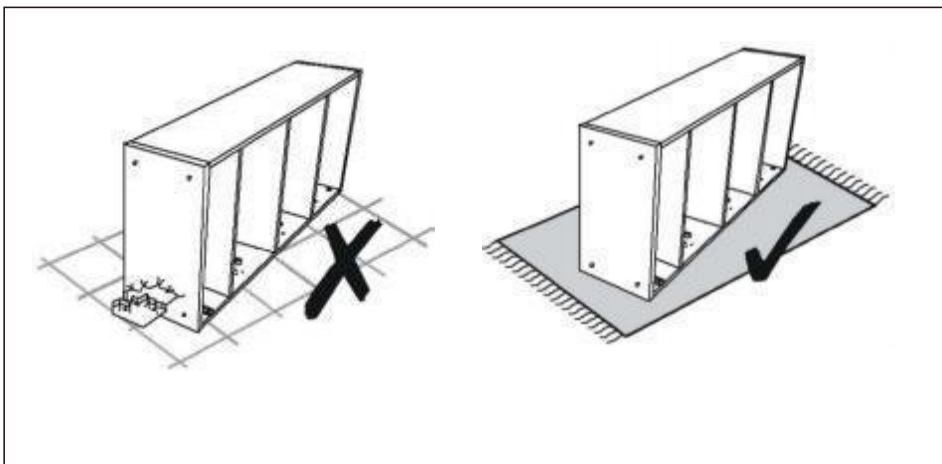
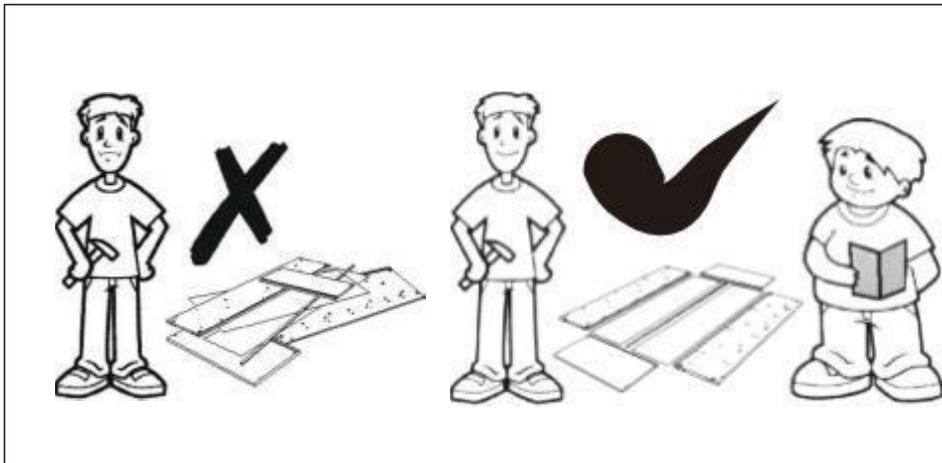


Tape Measure


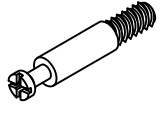

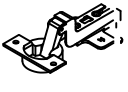

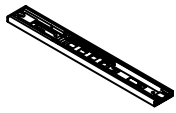
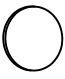
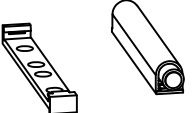

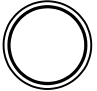
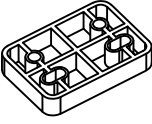





matters needing attention

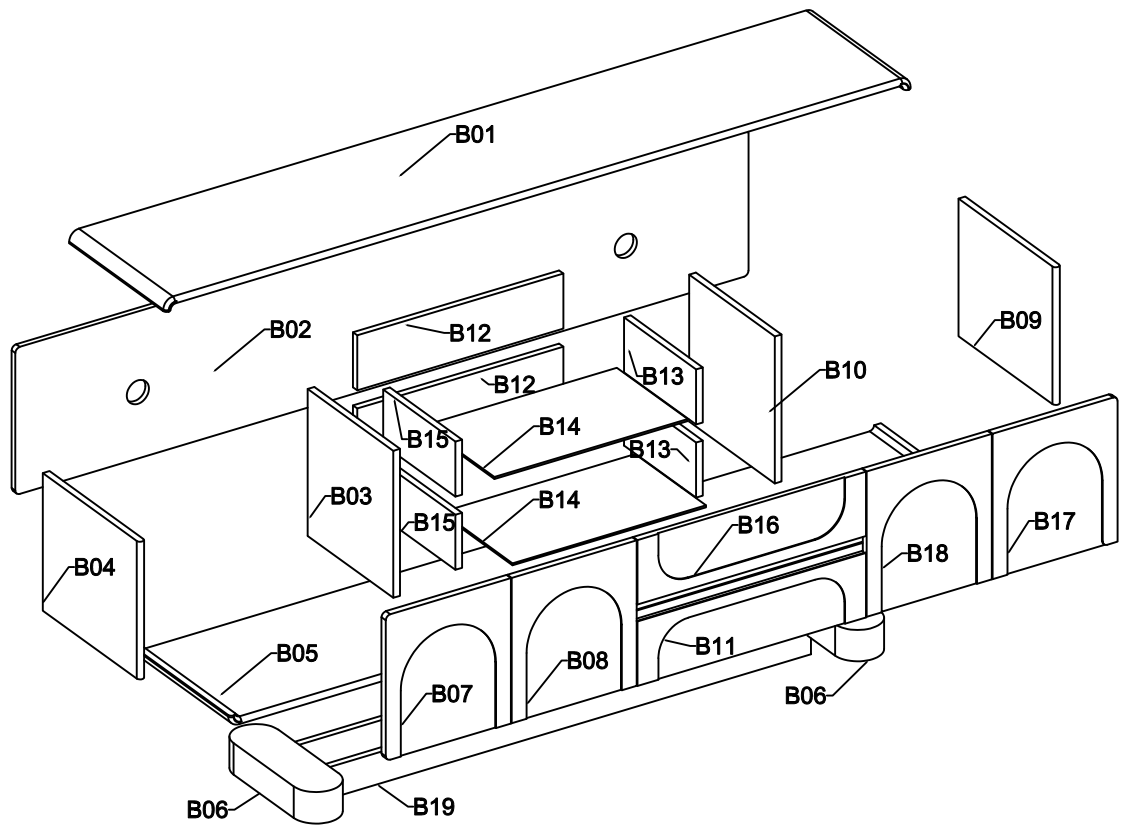


# GA1556HW Installation Hardware List

H1201  51PCS	H1101  51PCS	H1403  M3.5*16 64PCS	H2202  8PCS
H1511  M8*18 4PCS	H2114  12in*45 2PCS	H4108  28PCS	H2411  4PCS
H1223  M8 * 65 4PCS	H4208  2PCS	HK0096  4PCS	H1426  M3.5*25 16PCS

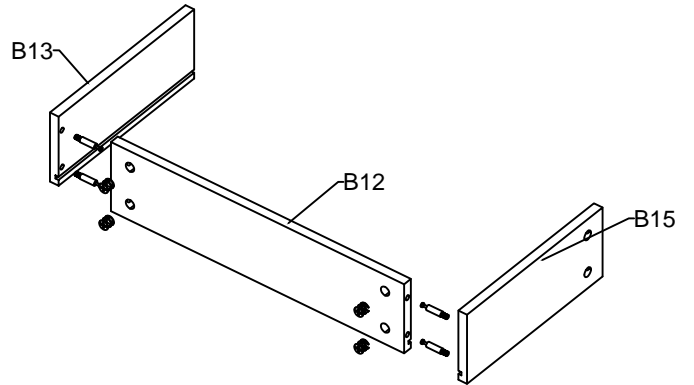
## GA1556HW Panel List

- B01\*1 roof
- B02\*1 Back panel
- B03\*1 Left neutral panel
- B04\*1 Left side panel
- B05\*1 Bottom panel
- B06\*2 leg
- B07\*1 Left door panel
- B08\*1 Left middle door panel
- B09\*1 Right side panel
- B10\*1 Right neutral board
- B11\*1 Lower drawer panel
- B12\*2 Drawer backboard
- B13\*2 Drawer right panel
- B14\*2 Bottoming out
- B15\*2 Drawer left panel
- B16\*1 Upper drawer panel
- B17\*1 Right door panel
- B18\*1 Right middle door panel
- B19\*2 Support bar

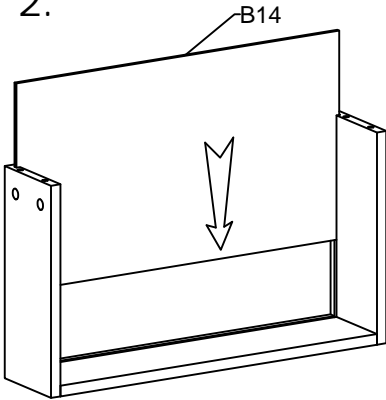


# GA1556HW Installation steps

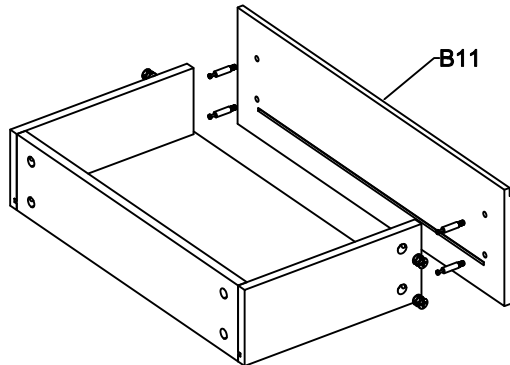
1:



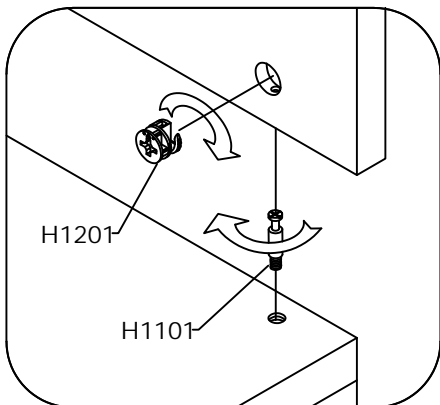
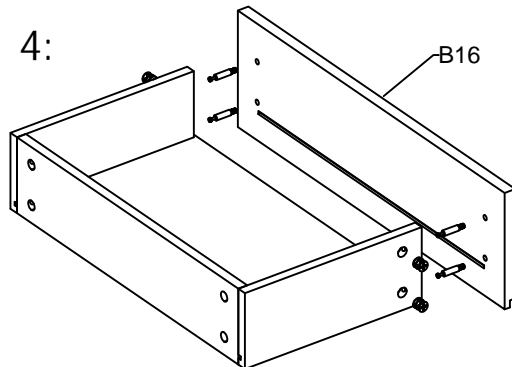
2:



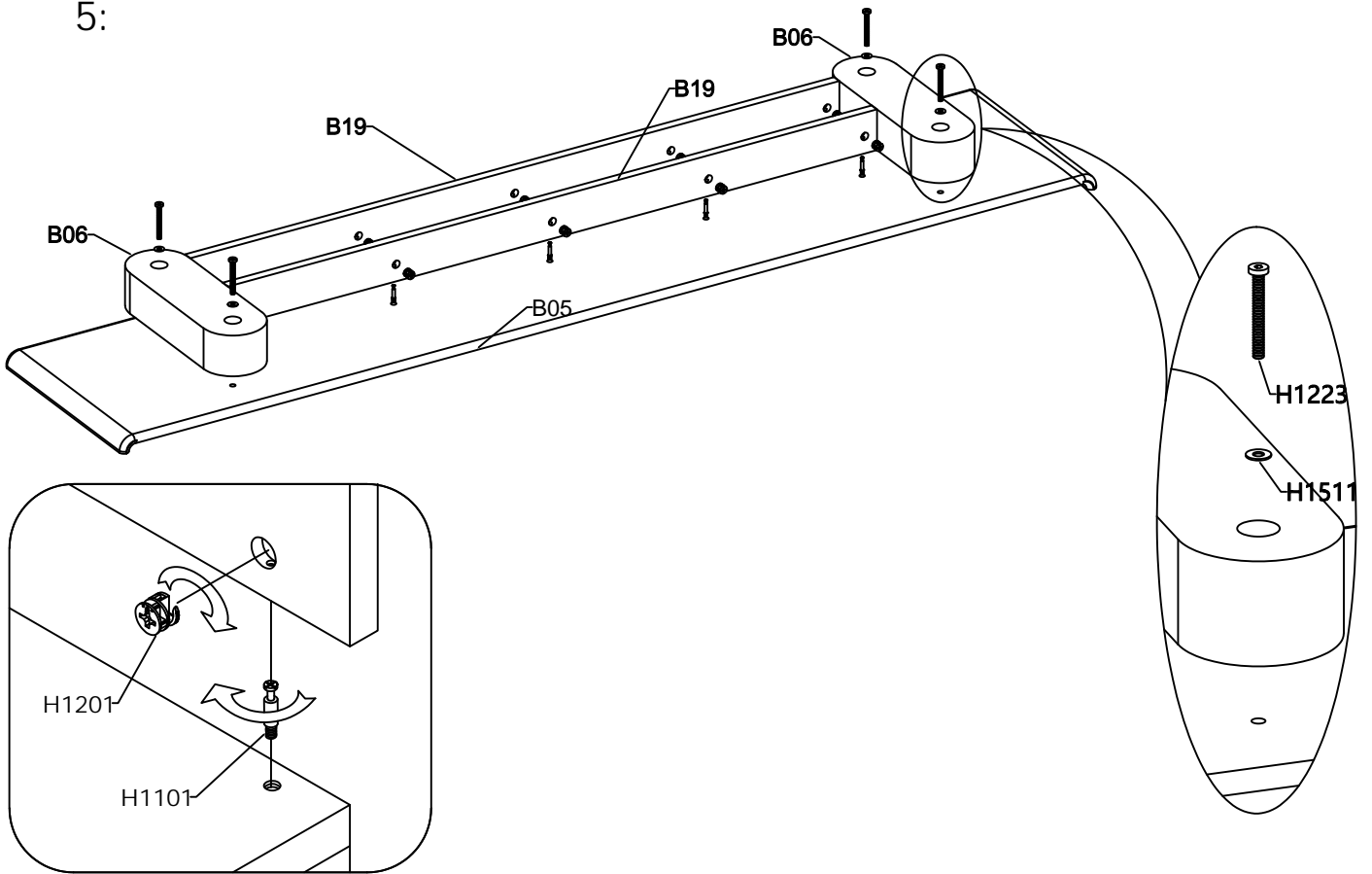
3:



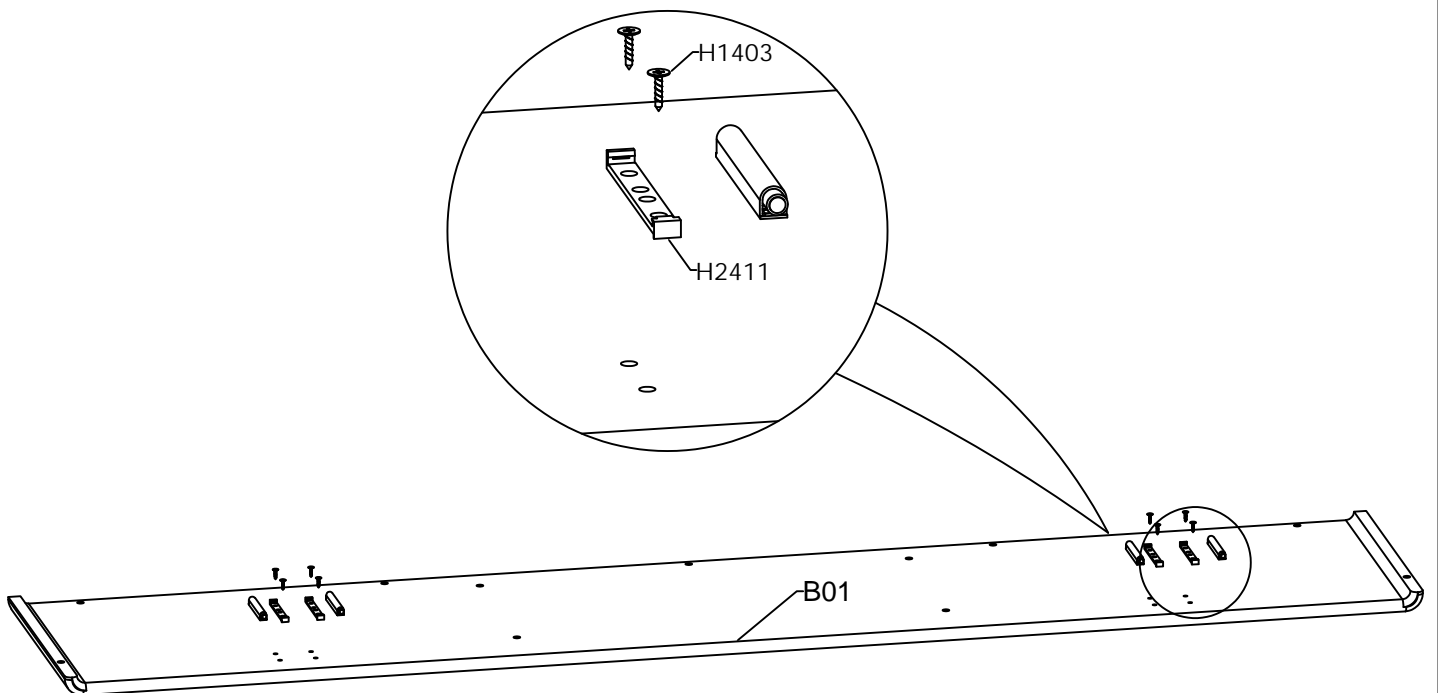
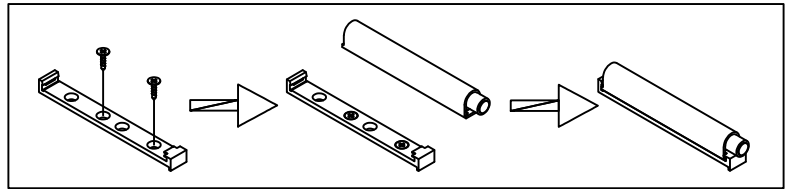
4:



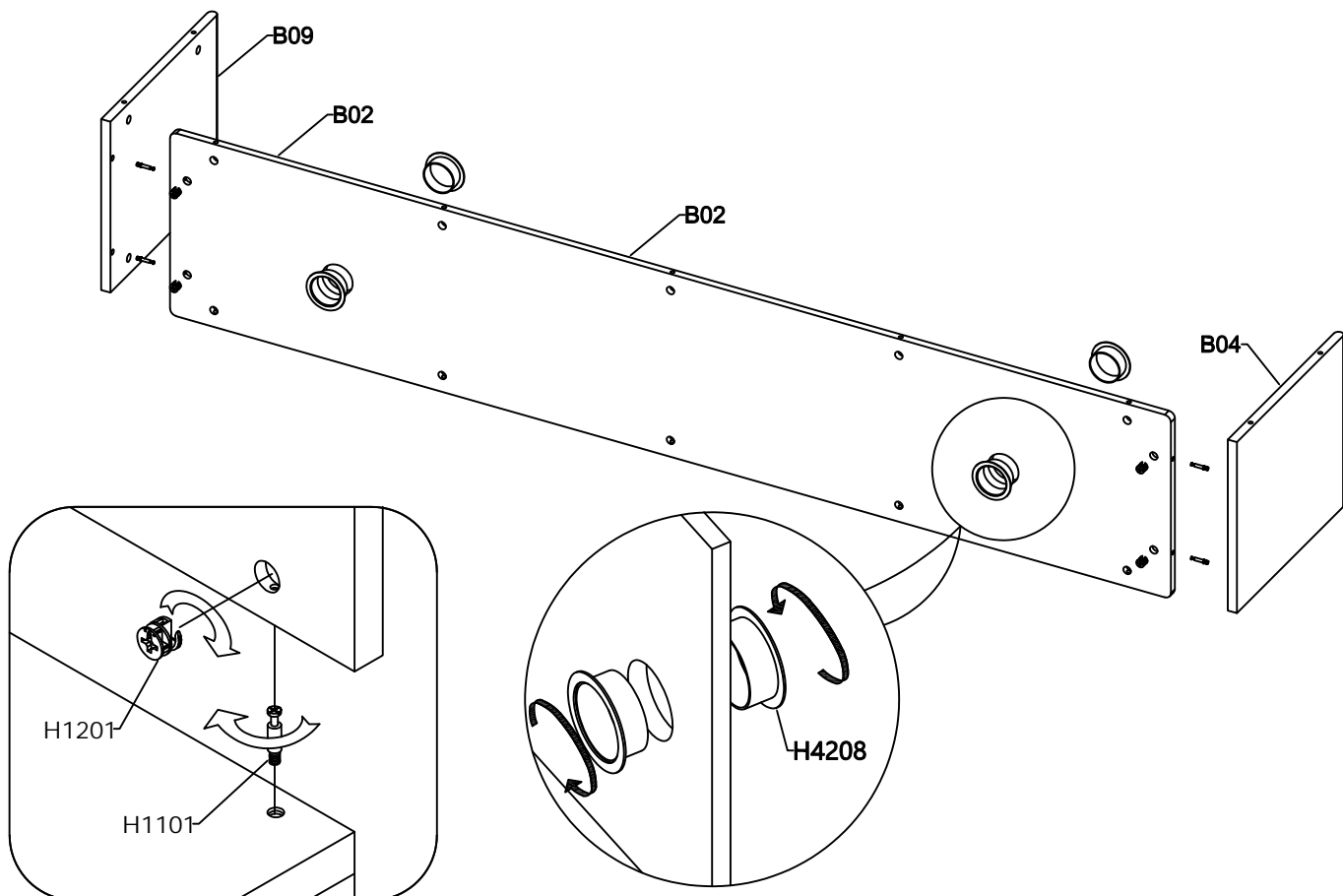
5:



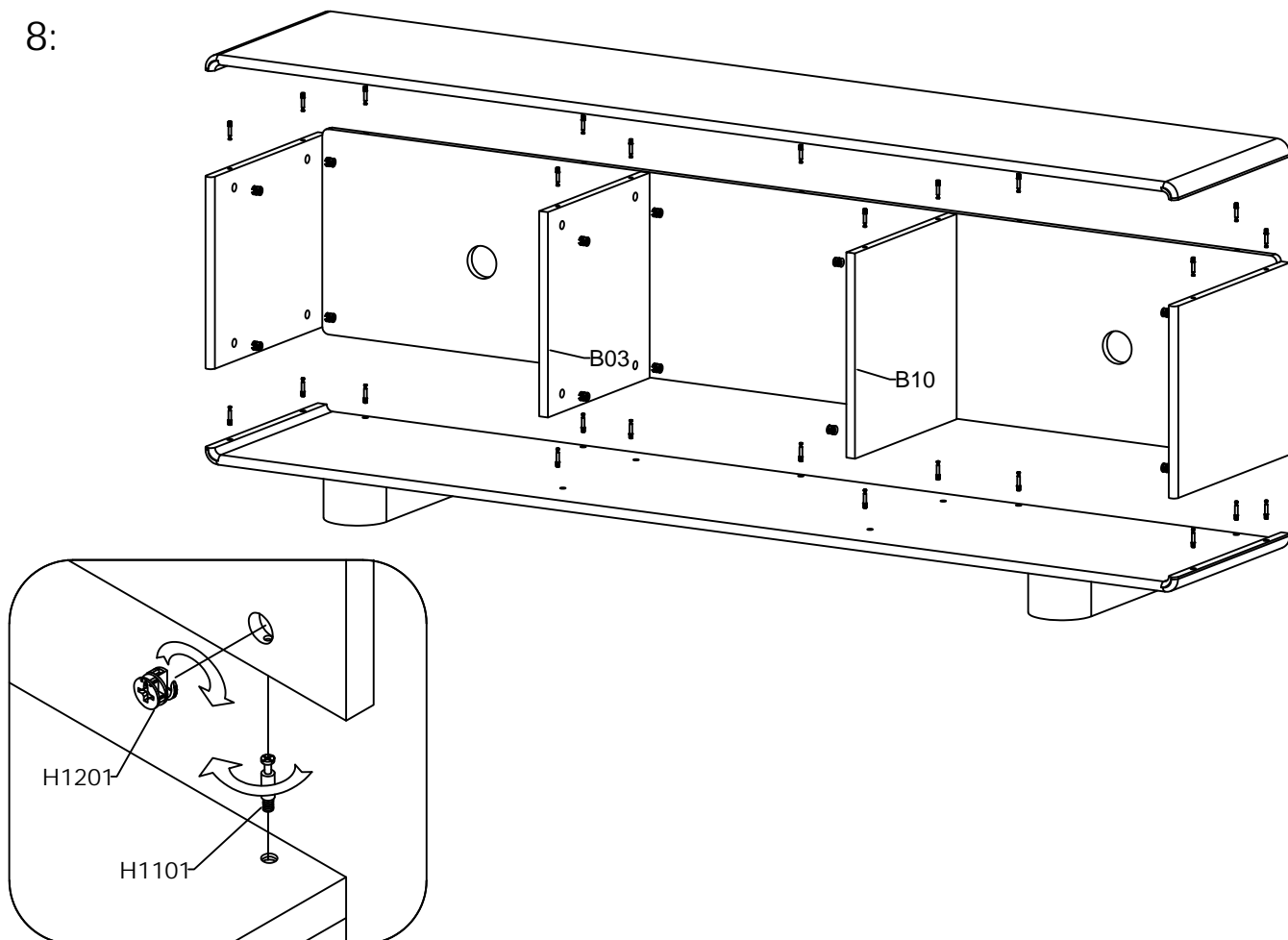
6:



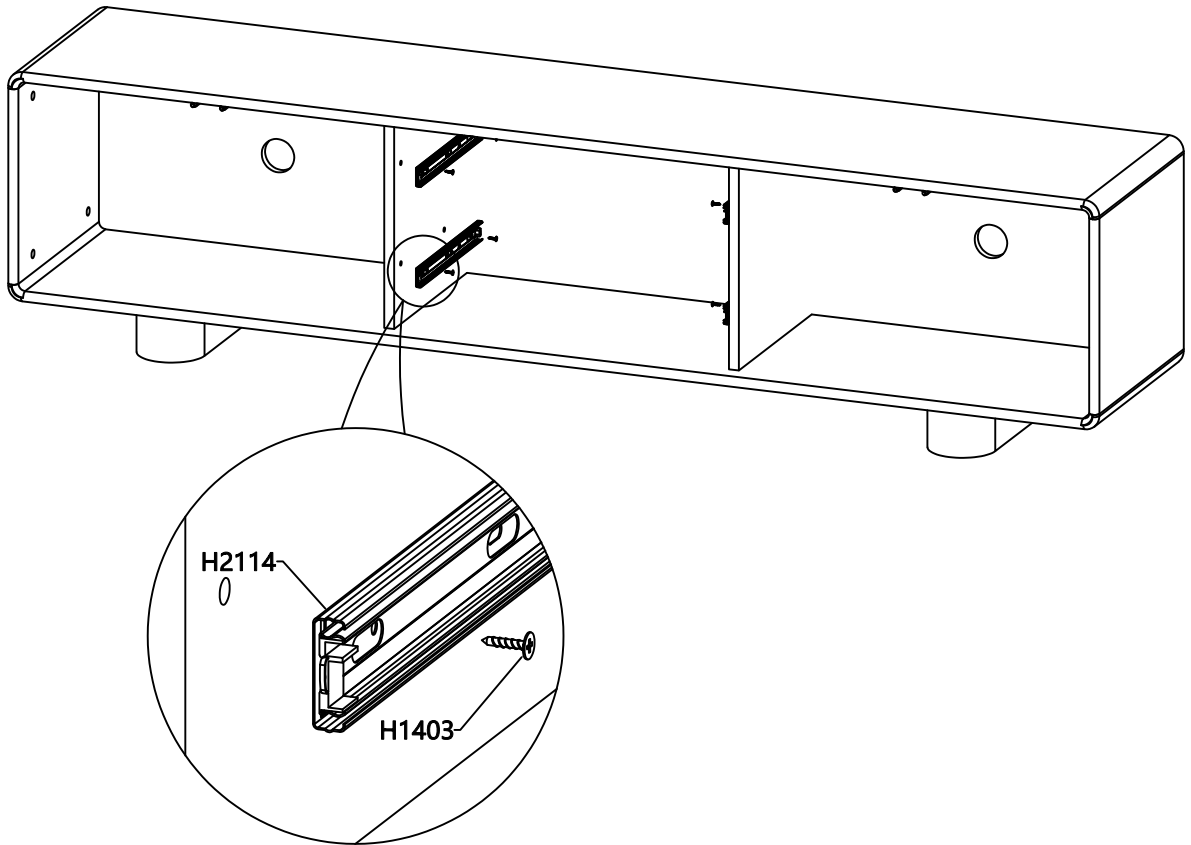
7:



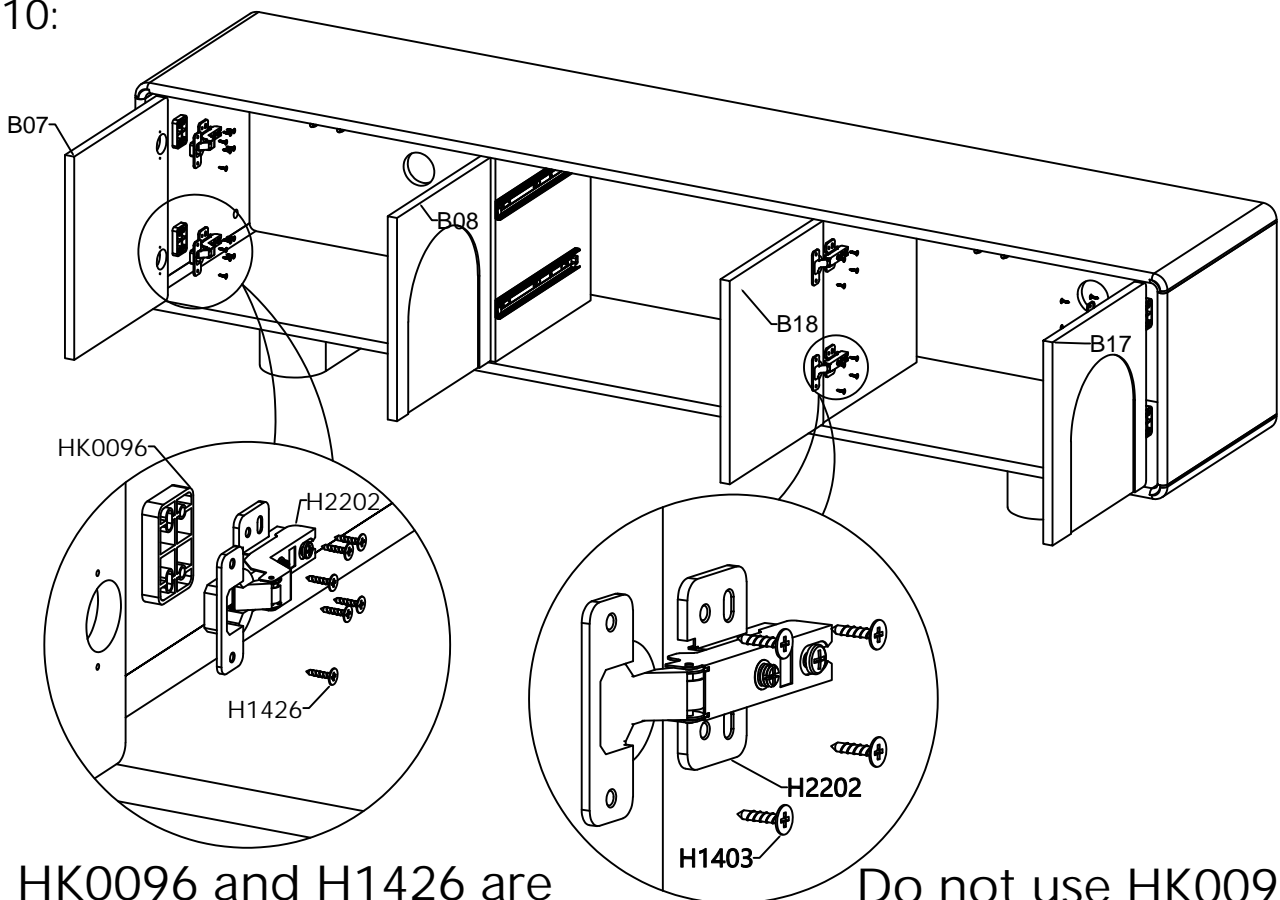
8:



9:



10:

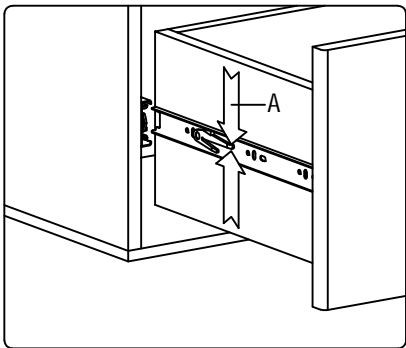
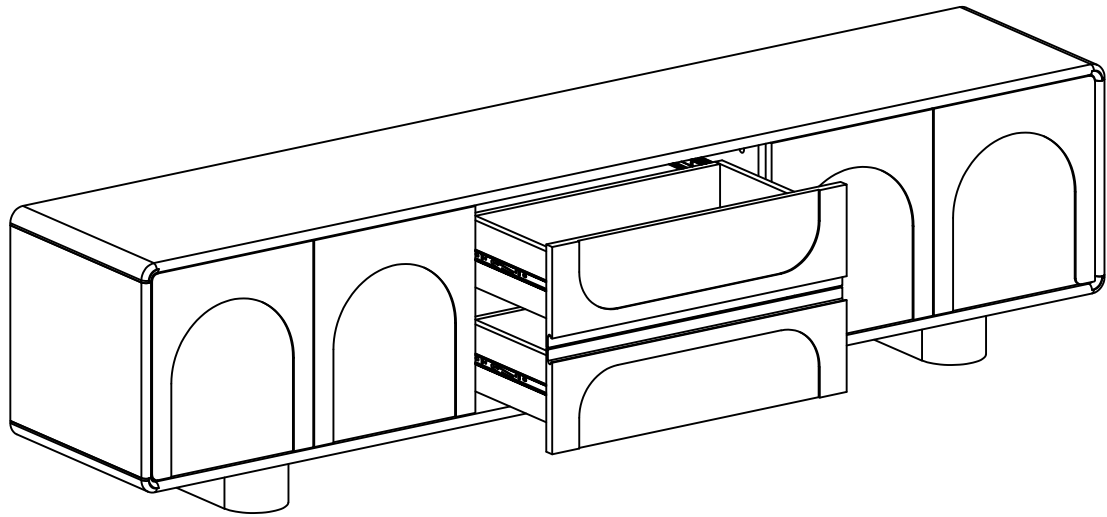


HK0096 and H1426 are required to install B07 and B17 door panels.

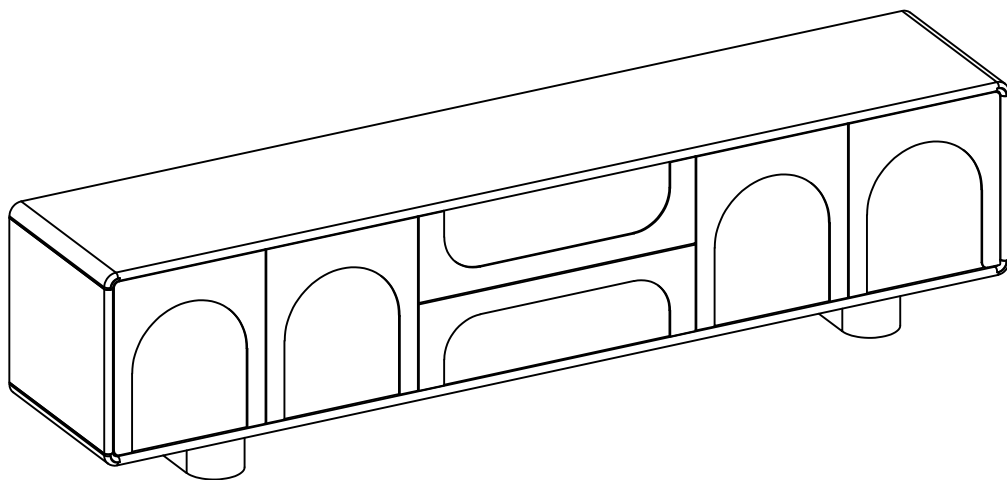
Do not use HK0096 and H1426 to install B08 and B18 door panels.



11:



Install the drawer: Align it with the card slot and push it in  
A - This function is a slide rail separation buckle,  
The slide rails and drawers can be removed from the top  
left and bottom right.



# WE'RE HERE TO HELP

how to get in touch with us



866-504-7728



support@guyii.com